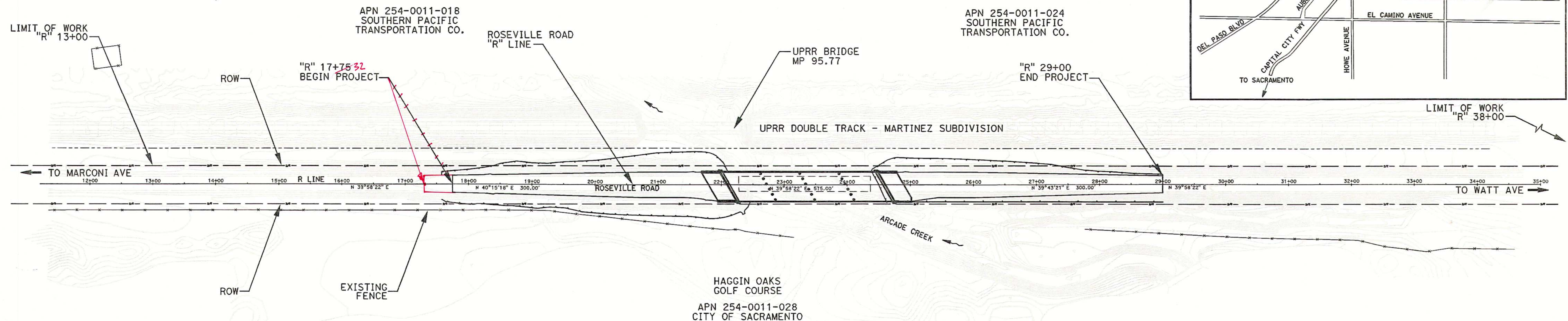
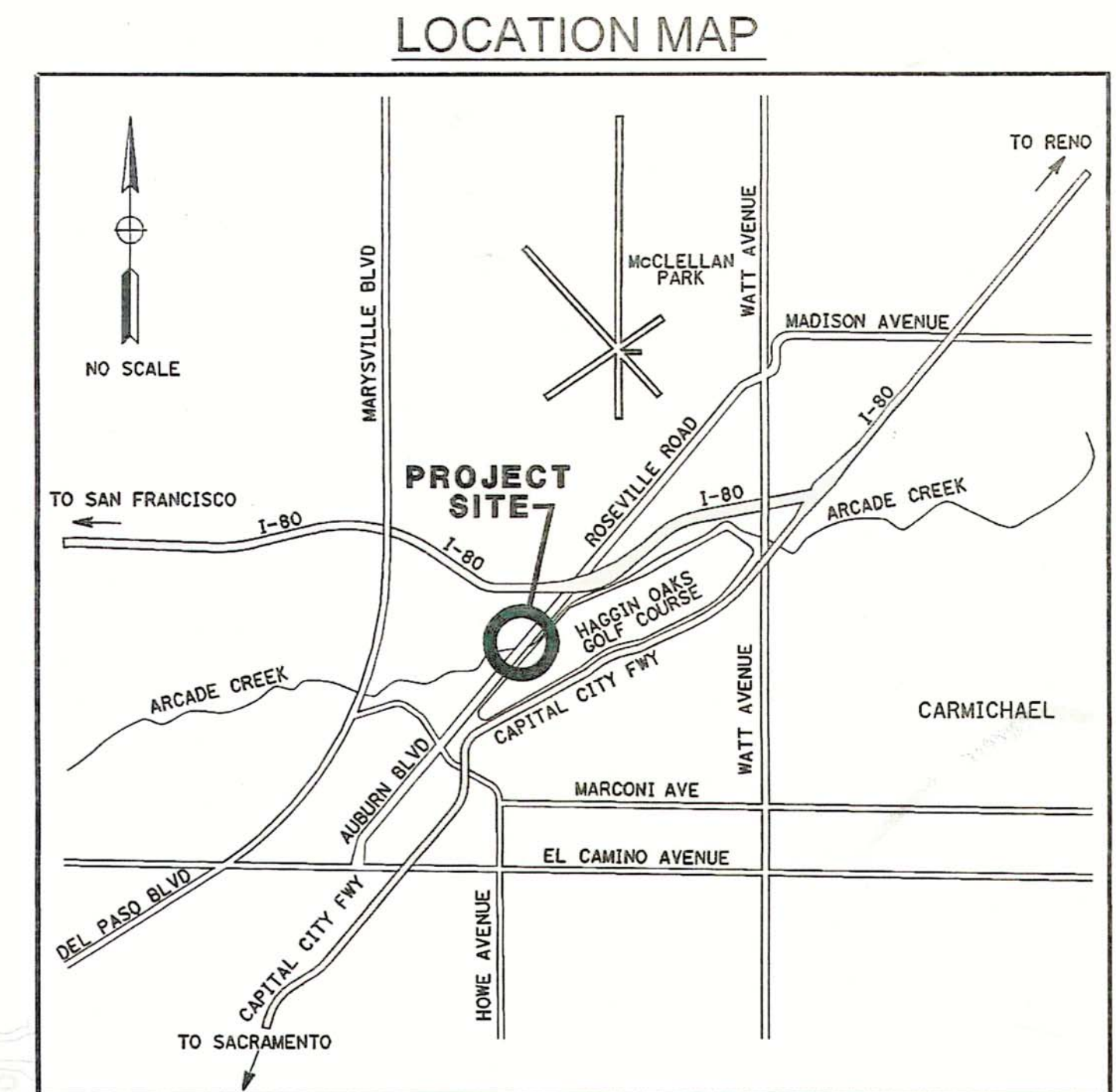


CITY OF SACRAMENTO

IMPROVEMENT PLANS FOR ROSEVILLE ROAD - ARCADE CREEK BRIDGE REPLACEMENT


(PN: T15068500)





INDEX OF SHEETS

SHEET NO.	SHEET	TITLE
1	T-1	COVER SHEET
2	A-1	ABBREVIATIONS, NOTES, & LEGEND
3	SVC-1	SURVEY CONTROL SHEET
4-7	X-1 TO X-4	TYPICAL SECTIONS
8	L-1	PLAN & PROFILE
9	C-1	CONSTRUCTION DETAILS
10-11	CG-1 TO CG-2	CLEARING AND GRUBBING
12-13	GR-1 TO GR-2	GRADING/DRAINAGE AND SLOPE EASEMENTS PLAN
14-16	EC-1 TO EC-3	EROSION CONTROL / WATER POLLUTION PLAN
17	U-1	UTILITY PLANS
18	PD-1	SIGNING & STRIPING PLANS
19-23	SC-1 TO SC-5	STAGE CONSTRUCTION
24-27	DE-1 TO DE-4	DETOUR PLANS
28	RW-1	RETAINING WALL
29-45	BR-1 TO BR-17	BRIDGE PLANS
46-48	LOTB1 TO LOTB3	LOG OF TEST BORINGS
49-61	I-1 TO I-4 P-1 TO P-4 D-1 TO D-5	IRRIGATION PLANS PLANTING PLANS DETAILS
1-23	XS-1 TO XS-23	CROSS SECTIONS SET


SITE PLAN

APPROVED BY:  **MATTHEW JOHNS, R.C.E. 78498**
ASSOCIATE CIVIL ENGINEER
DATE: 1-22-14

APPROVED BY:  **HECTOR BARRON, R.C.E. 45485**
CITY TRAFFIC ENGINEER
(SIGNING AND STRIPING)
DATE: 2-3-14

 **MIKE WIDMANN, R.C.E. 55222**
PROJECT MANAGER
DATE: 1/21/14

AS BUILT

CORRECTIONS BY: 
CONTRACT NO. _____
DATE: 6/11/16

3/12/2014 9:49:54 AM FILE: P:\SACR00000004\0400CAD\04205Sheet Files\2 to 1 grading\vacr04_01_ab001_(T1).dgn

REVISIONS				BENCH MARK		FIELD BOOK		CITY OF SACRAMENTO			DAVID EVANS AND ASSOCIATES INC.		IMPROVEMENT PLANS FOR		SHEET	
NO.	DESCRIPTION	DATE	BY	ELEV.		NO.	N/A	DEPARTMENT OF PUBLIC WORKS			1544 Eureka Road, Suite 200		ROSEVILLE ROAD - ARCADE CREEK BRIDGE REPLACEMENT		T-1	
				54.58				DRAWN BY: L. ANDERSEN			1544 Eureka Road, Suite 200		COVER SHEET		1/61	
								DATE: JAN 2014			Roseville California 95661					
								DESIGNED BY: J. ARELLANO/E.ARANDA								
								CHECKED BY: D. BLOODWORTH								
								R.C.E. C78063 DATE JAN 2014								
								R.C.E. C60954 DATE JAN 2014								

3/12/2014 2:25:24 PM 19446 FILE: G:\CAD\Projects\DavidEvansAssoc\00489-08_RosevilleBridge\Plans\I-1.dgn

GENERAL IRRIGATION NOTES (RESTORATION AND STREETScape)

1. SEE TECHNICAL SPECIFICATIONS AND GENERAL NOTES FOR ADDITIONAL INFORMATION TO CONSIDER IN IRRIGATION SYSTEM INSTALLATION INCLUDING INFRASTRUCTURE AND UTILITIES PROTECTION AND REPAIR INFORMATION.
2. IRRIGATION MAINLINE AND EQUIPMENT ARE SHOWN DIAGRAMMATICALLY TO CONVEY INSTALLATION INTENT WITH GRAPHIC CLARITY. THE CONTRACTOR SHALL NOT INSTALL THE IRRIGATION SYSTEM AS DIAGRAMMATICALLY SHOWN IF OBSTRUCTIONS, INFRASTRUCTURE, GRADE CHANGES, OR OTHER BARRIERS EXIST IN THE FIELD THAT MIGHT NOT HAVE BEEN FORESEEN, CONSIDERED, OR IN EXISTENCE DURING IRRIGATION DESIGN. NOTIFY THE ENGINEER IF THE INSTALLATION OF THE SYSTEM IS NOT FEASIBLE AS DIAGRAMMATICALLY SHOWN PRIOR TO PROCEEDING. IF CONFLICTS ARE NOT REPORTED TO THE ENGINEER, THE CONTRACTOR SHALL ASSUME FULL RESPONSIBILITY FOR ANY NECESSARY CHANGES REQUIRED TO MAKE THE SYSTEM FULLY FUNCTIONAL AT NO ADDITIONAL COST TO OWNER.
3. CONTRACTOR SHALL VERIFY STATIC WATER PRESSURE AT POINT OF CONNECTION PRIOR TO INSTALLING IRRIGATION SYSTEM. SHOULD STATIC WATER PRESSURE BE LESS THAN 35 PSI OR MORE THAN 100 PSI, CONTRACTOR SHALL NOTIFY THE ENGINEER FOR INSTRUCTIONS PRIOR TO PROCEEDING WITH INSTALLATION. THE SYSTEM DESIGN IS BASED ON 30 GPM BEING AVAILABLE AT THE POINT OF CONNECTION. THE CONTRACTOR IS RESPONSIBLE FOR VERIFYING THESE REPORTED READINGS PRIOR TO CONSTRUCTION AND SHALL CEASE CONSTRUCTION ACTIVITY AT ONCE IF AVAILABLE WATER PRESSURE AND VOLUME VARY FROM PREVIOUSLY REPORTED FIGURES. IF WATER PRESSURE AND VOLUME DISCREPANCIES ARE NOT REPORTED TO THE ENGINEER PRIOR TO START OF CONSTRUCTION, THE CONTRACTOR SHALL ASSUME FULL RESPONSIBILITY FOR ANY NECESSARY CHANGES REQUIRED TO MAKE THE SYSTEM FULLY FUNCTIONAL AT NO ADDITIONAL COST TO OWNER.
4. CONTRACTOR SHALL VERIFY LOCATIONS OF EXISTING UTILITIES PRIOR TO CONSTRUCTION.
5. FOLLOW ALL LOCAL CODES WHEN INSTALLING IRRIGATION SYSTEM. FOLLOW MANUFACTURER'S SPECIFICATIONS DURING INSTALLATION. NOTIFY ENGINEER OF ANY CODE CONFLICTS WITH THE DESIGN PRIOR TO STARTING WORK.
6. ALL MATERIALS AND EQUIPMENT SHALL BE NEW. THE CONTRACTOR SHALL INSTALL MATERIALS AND EQUIPMENT TO PROVIDE THE MOST EFFICIENT AND OPTIMUM OPERATING SYSTEM. FIELD ADJUSTMENTS MAY BE REQUIRED.
7. ALL TRENCHING IN AREAS UNDER EXISTING TREE CANOPIES SHALL BE DONE BY HAND.
8. THE CONTRACTOR SHALL USE COMMON TRENCHES WHEREVER POSSIBLE. COMMON TRENCHES SHALL BE LOCATED WITHIN IRRIGATED AREAS WHEREVER POSSIBLE. TRENCHES AND CONTROL VALVES SHALL BE LOCATED AT THE BACK OF WALKWAY OR TRAIL WHEREVER POSSIBLE. TRENCHES AND CONTROL VALVES SHALL BE LOCATED 12" FROM SIDEWALKS, TRAILS, OR WALLS UNLESS NOTED OTHERWISE.
9. CONTRACTOR SHALL PRESSURE AND LEAK TEST IRRIGATION LINES PRIOR TO BACKFILLING TRENCHES. CONTROLLER WIRING TO VALVES SHALL BE TESTED PRIOR TO TRENCH BACKFILLING. THE CONTRACTOR SHALL MAKE ANY ADJUSTMENTS REQUIRED TO SYSTEM TO ENSURE OPERABILITY PRIOR TO BACKFILLING TRENCHES.
10. THE FINAL LOCATION OF THE WATER AND ELECTRICAL POINTS OF CONNECTION SHALL BE APPROVED BY THE ENGINEER PRIOR TO INSTALLATION.
11. THE FINAL LOCATION OF REMOTE CONTROL VALVE SHALL BE APPROVED BY THE ENGINEER PRIOR TO INSTALLATION.
12. THE CONTRACTOR SHALL LOCATE VALVES IN SHRUB/GROUND COVER/HERBACEOUS AREAS WHEREVER POSSIBLE.
13. THE CONTRACTOR SHALL PROVIDE THE ENGINEER ONE HOSE SWIVEL FOR QUICK COUPLING VALVES.
14. THE CONTRACTOR SHALL INCLUDE IN THEIR BID 20 EXTRA DRIP EMITTERS AND POLY FLEX RISER ASSEMBLIES FOR USE IN THE INSTALLATION PROCESS FOR POSSIBLE FIELD CHANGES. ALL EXTRA EMITTERS AND POLY FLEX RISER ASSEMBLIES SHALL BE GIVEN TO THE ENGINEER AT THE END OF THE MAINTENANCE PERIOD.
15. OPERATE IRRIGATION CONTROLLERS BETWEEN THE HOURS OF 10:00 PM AND 6:00 AM.
16. CHANGES TO THE IRRIGATION SCHEDULE DURING THE MAINTENANCE PERIOD MUST BE COORDINATED WITH STACY BAKER AT HAGGIN OAKS GOLF COMPLEX AT 916-808-6034.
17. PRIOR TO TRENCHING, CALL 811 FOR THE UNDERGROUND SERVICE ALERT FOR NORTHERN CALIFORNIA.

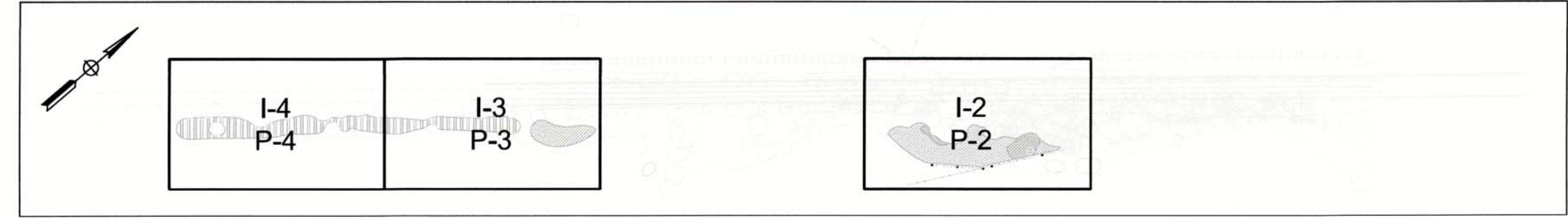
RESTORATION IRRIGATION PROGRAM

DETAIL REFERENCE	PLAN VIEW SYMBOL	APPURTENANCE	MODEL NUMBER	MANUFACTURER/ NOTES
		WATER SERVICE POC		WATER POINT OF CONNECTION; COORDINATE EXACT LOCATION WITH ENGINEER; TIE INTO EXISTING PRESSURIZED LATERAL LINE AT QUICK COUPLER IN CDFW SITE AND AT EXISTING SPRINKLER AT CITY SITE; USE RECTANGULAR VALVE BOX
		ELECTRIC POC		ELECTRIC POINT OF CONNECTION; COORDINATE EXACT LOCATION WITH ENGINEER; CONNECT TO EXISTING WIRE LOCATED IN QUICK COUPLER VALVE BOX IN CDFW SITE AND ROUND VALVE BOX IN CITY SITE
2/D-3		REMOTE CONTROL VALVE WITH FILTER & BALL VALVE	XCZ-100-PRB-COM	RAIN BIRD / COMMERCIAL CONTROL KIT - 1" PESB REMOTE CONTROL VALVE, WITH RAIN BIRD 1", 40PSI PRESSURE COMPENSATING QUICK CHECK BASKET FILTER, WITH BALL VALVE, OR APPROVED EQUAL, INSTALL IN RECTANGULAR VALVE BOX
1/D-2		QUICK COUPLING VALVE	33-DLRC	RAIN BIRD / 3/4" QUICK COUPLING VALVE, OR APPROVED EQUAL, WITH LOCKING COVER IN ROUND VALVE BOX
1/D-2 2/D-3	NOT SHOWN	VALVE BOX	VB-10RND - ROUND VB-JMB - RECTANGULAR	RAIN BIRD / 10" ROUND VALVE BOX WITH VB-LOCK-H HEX HEAD LOCKING SYSTEM RAIN BIRD / 26"L X 20"W X 12" H RECTANGULAR VALVE BOX WITH VB-LOCK-H HEX HEAD LOCKING SYSTEM
2/D-2		MAINLINE		IRRIGATION MAINLINE, SCH 40 PVC PIPE, 2" SIZE THROUGHOUT, INSTALL WARNING TAPE ABOVE LINE, 18" MINIMUM BURIAL
2/D-3 3/D-3	NOT SHOWN	LATERAL LINE		IRRIGATION LATERAL, SCH 40 PVC PIPE, SIZE PER CHART; PLACE PARALLEL TO CONTOURS; PLACE ON GRADE AND STAKE WITH REBAR J-HOOK EVERY 20 FEET
2/D-2		SLEEVING		SCH 40 PVC PIPE, SIZE SHALL BE TWICE THE DIAMETER OF THE PIPE BEING RECEIVED BY PIPE
1/D-3	NOT SHOWN	DRIP EMITTER	XB-10PC-1032 W/ PFR-FRA	RAIN BIRD / XERI-BUG PRESSURE COMPENSATING EMITTER WITH 10-32 THREADED INLET, 1.0 GPH, INSTALL ON RAIN BIRD 12" POLYFLEX RISER, OR APPROVED EQUAL, INSTALL 2 PER INDIVIDUAL SMALL CONTAINER PLANT, INSTALL 3 PER INDIVIDUAL 15-GALLON TREE, INSTALL 3 PER CLUSTER
4/D-3	NOT SHOWN	AIR RELIEF VALVE	ARV050	RAIN BIRD / 1/2" AIR RELIEF VALVE, INSTALL 1 PER ZONE, INSTALL AT THE HIGHEST POINT IN THE ZONE.
		VALVE NUMBER # OF PLANTS APPROXIMATE FLOW THROUGH VALVE VALVE SIZE		

LATERAL PIPE SIZING CHART

NUMBER OF DRIP EMMITTERS	1-180	181-360	361-720	721-1080
PIPE SIZE	3/4"	1"	1-1/4"	1-1/2"

KEY MAP



AS BUILT
 CORRECTIONS BY Graig Zaiss
 CONTRACT NO. _____
 DATE 6/1/16

No CHANGE ON THIS SHEET

NO.	REVISIONS DESCRIPTION	DATE	BY

BENCH MARK	ELEV. <u>54.58</u>
DESCRIPTION: All elevations are based on a differential level loop. Elevations were all relative to NGS Bench Mark (PID=JS0989) NAVD 88 Elevation: 54.58 (NGVD29 Elevation: 52.04 feet)	

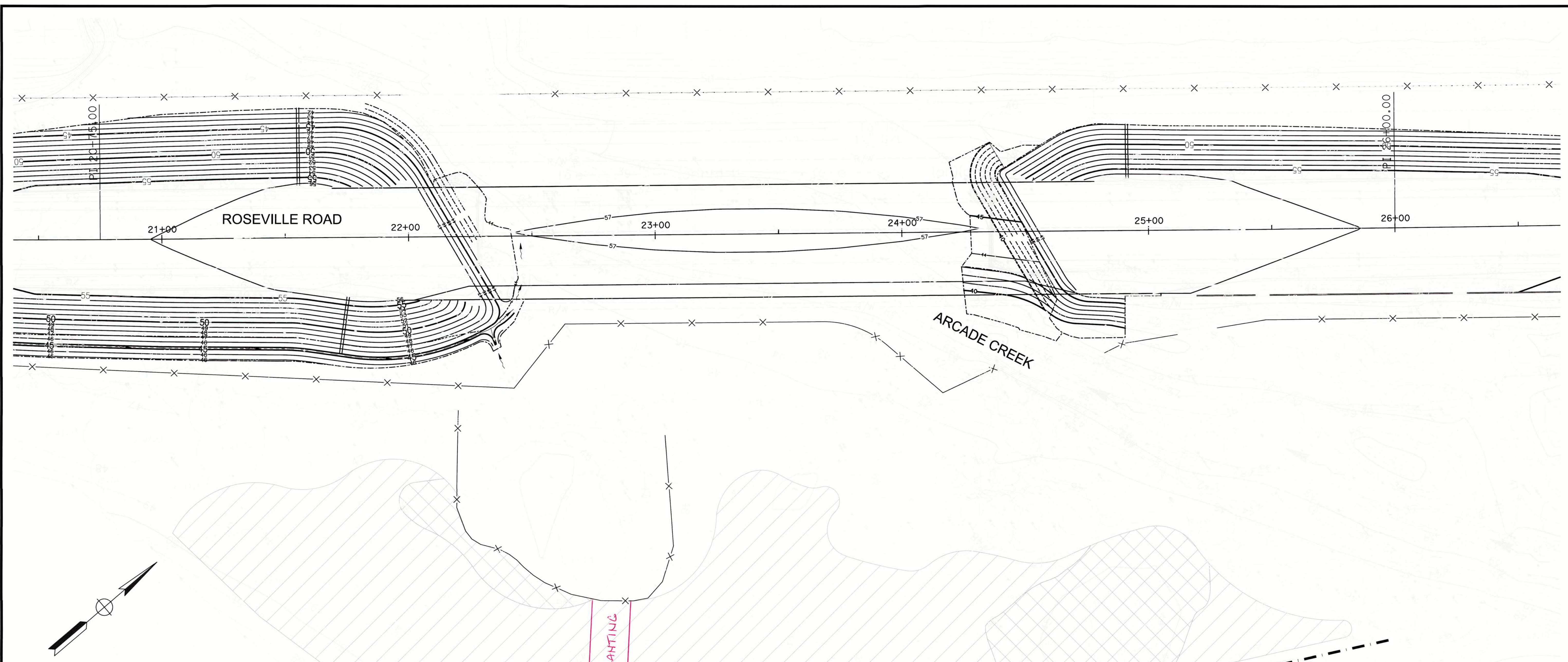
CITY OF SACRAMENTO
DEPARTMENT OF PUBLIC WORKS

DRAWN BY: <u>A. ANGIER</u>	DESIGNED BY: <u>K. LANTZ</u>	CHECKED BY: <u>K. LANTZ</u>
DATE <u>MAR 2014</u>	P.L.A. <u>5400</u> DATE <u>MAR 2014</u>	P.L.A. <u>5400</u> DATE <u>MAR 2014</u>

ICF INTERNATIONAL
630 K Street, Suite 400, Sacramento, CA 95814

IMPROVEMENT PLANS FOR
ROSEVILLE ROAD - ARCADE CREEK BRIDGE REPLACEMENT
IRRIGATION NOTES AND LEGEND

RELATIVE BORDER SCALE IS IN INCHES



- LEGEND:**
- CDFW OAK WOODLAND, SEE SHEET P-1
 - CDFW RIPARIAN WOODLAND, SEE SHEET P-1
 - EXISTING PRESSURIZED MAINLINE
 - EXISTING PRESSURIZED LATERAL
 - ESA FENCING - REFER TO CIVIL SPECIFICATIONS

- NOTES:**
1. REFER TO SHEET I-1 FOR PROPOSED IRRIGATION LEGEND AND NOTES.
 2. REFER TO SHEET P-2 THROUGH P-4 FOR PLANTING ZONE LAYOUT.
 3. CONTRACTOR MAY ACCESS PLANTING AREAS FROM GOLF COURSE, COORDINATE ACCESS WITH GOLF COURSE STAFF

EXISTING QUICK COUPLER
N 1992099
E 6729515

EXISTING IRRIGATION LATERAL (PRESSURIZED)

C1 | 439 PLANTS
1" | 11.75 GPM

C2 | 439 PLANTS
1" | 11.75 GPM

EXISTING IRRIGATION MAINLINE

EXISTING QUICK COUPLER
N 1992149
E 6729565

EXISTING GATE VALVE
N 1992223
E 6729625

EXISTING QUICK COUPLER
N 1992200
E 6729614

EXISTING GATE VALVE
N 1992349
E 6729692

PATH - NO PLANTING

19' → V V RC
12' → EV
12' → EV

AS BUILT

CORRECTIONS BY Greg Zeiss

CONTRACT NO. _____

DATE 6/1/16

3/12/2014 2:57:09 PM 19446 FILE: G:\CAD\Projects\David\Evans\Assoc\00489-08_RosevilleBridge\Plans\I-2.dgn

REVISIONS				BENCH MARK		FIELD BOOK	
NO.	DESCRIPTION	DATE	BY	ELEV.	DESCRIPTION	N/A	SCALE
				54.58	All elevations are based on a differential level loop. Elevations were all relative to NGS Bench Mark (PID=JS0989) NAVD 88		HORIZ. 1"=20'
				52.04	Elevation: 54.58 (NGVD29 Elevation: 52.04 feet)		VERT. _____

CITY OF SACRAMENTO
DEPARTMENT OF PUBLIC WORKS

DRAWN BY: A. ANGIER DESIGNED BY: K. LANTZ CHECKED BY: K. LANTZ

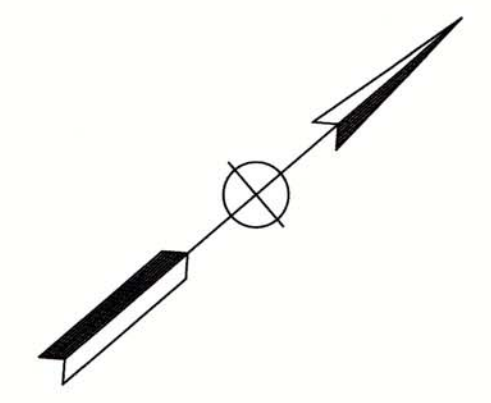
DATE MAR 2014 P.L.A. 5400 DATE MAR 2014 P.L.A. 5400 DATE MAR 2014

ICF INTERNATIONAL
630 K Street, Suite 400, Sacramento, CA 95814

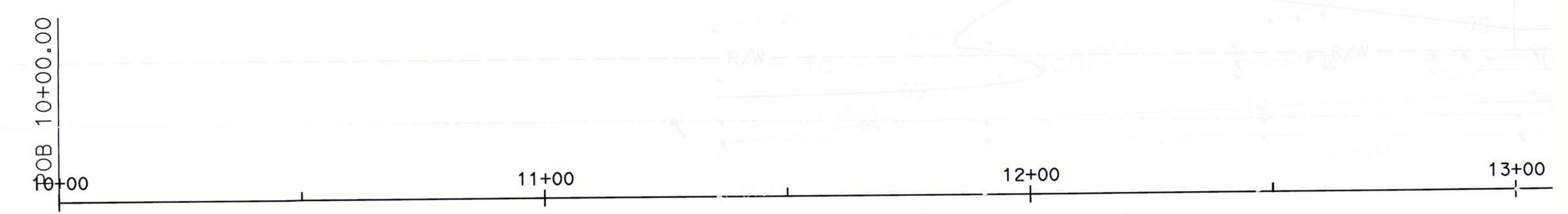
IMPROVEMENT PLANS FOR
ROSEVILLE ROAD - ARCADE CREEK BRIDGE REPLACEMENT
IRRIGATION PLAN - CDFW MITIGATION SITE

PN: T15068500 SHEET I-2 50/61

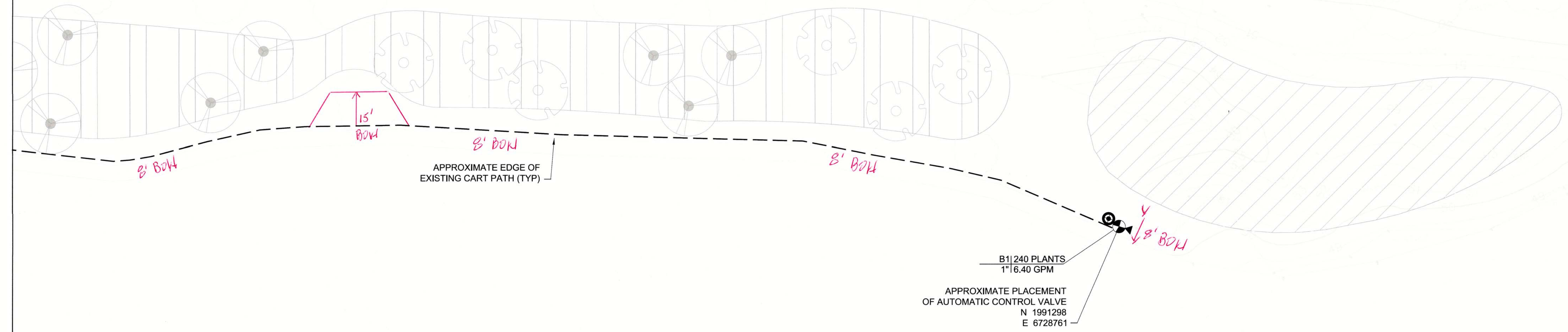
RELATIVE BORDER SCALE IS IN INCHES



ROSEVILLE ROAD



MATCH LINE
SEE SHEET I-4



- LEGEND:**
- CDFW OAK WOODLAND, SEE SHEET P-1
 - CITY OAK WOODLAND, SEE SHEET P-1

- NOTES:**
1. REFER TO SHEET I-1 FOR PROPOSED IRRIGATION LEGEND AND NOTES.
 2. REFER TO SHEET P-2 THROUGH P-4 FOR PLANTING ZONE LAYOUT.
 3. CONTRACTOR MAY ACCESS PLANTING AREAS FROM GOLF COURSE, COORDINATE ACCESS WITH GOLF COURSE STAFF

AS BUILT

CORRECTIONS BY Long Ziss
 CONTRACT NO. _____
 DATE 6/1/16

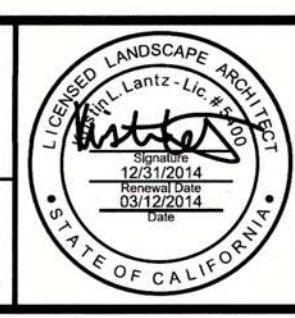
3/12/2014 3:04:58 PM 19446 FILE: G:\CAD\Projects\DavidEvansAssoc\00489-08_RosevilleBridge\Plans\I-3.dgn

REVISIONS			
NO.	DESCRIPTION	DATE	BY

BENCH MARK	ELEV. <u>54.58</u>
DESCRIPTION: All elevations are based on a differential level loop. Elevations were all relative to NGS Bench Mark (PID=JS0989) NAVD 88 Elevation: 54.58 (NGVD29 Elevation: 52.04 feet)	
FIELD BOOK	N/A
SCALE	HORIZ. 1"=20'
VERT.	

CITY OF SACRAMENTO
DEPARTMENT OF PUBLIC WORKS

DRAWN BY: <u>A. ANGIER</u>	DESIGNED BY: <u>K. LANTZ</u>	CHECKED BY: <u>K. LANTZ</u>
DATE <u>MAR 2014</u>	P.L.A. <u>5400</u> DATE <u>MAR 2014</u>	P.L.A. <u>5400</u> DATE <u>MAR 2014</u>

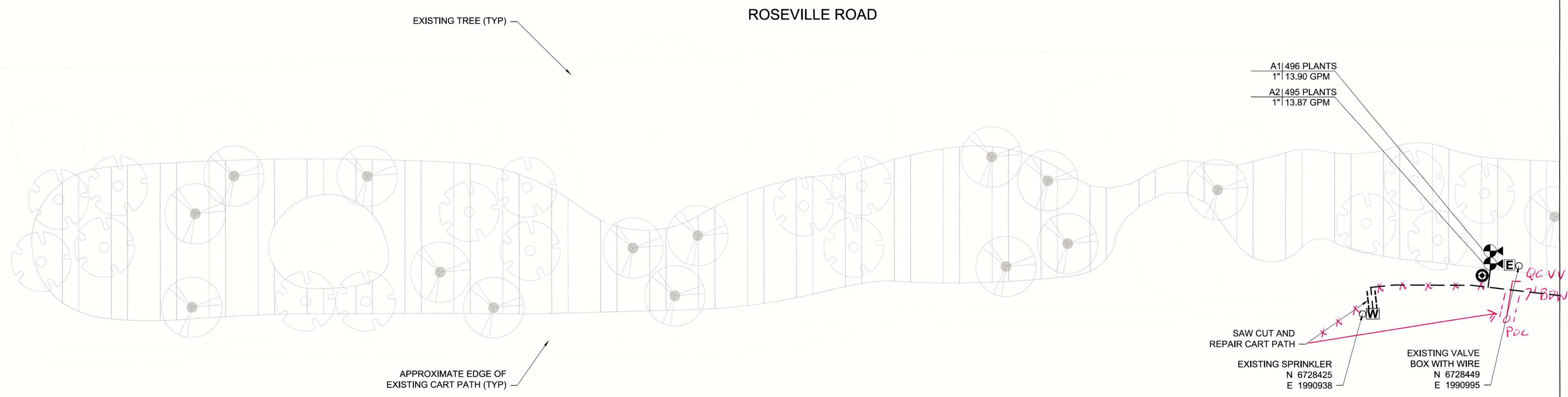
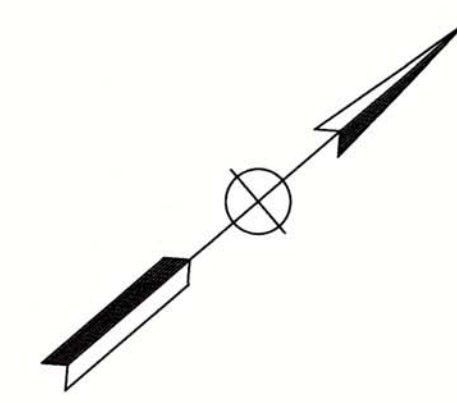


ICF INTERNATIONAL
630 K Street, Suite 400, Sacramento, CA 95814

IMPROVEMENT PLANS FOR
ROSEVILLE ROAD - ARCADE CREEK BRIDGE REPLACEMENT
IRRIGATION PLAN - CDFW AND CITY MITIGATION SITES

PN: T15068500
SHEET I-3
51/61

RELATIVE BORDER SCALE IS IN INCHES



A1 | 496 PLANTS
1" | 13.90 GPM

A2 | 495 PLANTS
1" | 13.87 GPM

MATCH LINE
SEE SHEET I-3

LEGEND:
 CITY OAK WOODLAND, SEE SHEET P-1

- NOTES:
1. REFER TO SHEET I-1 FOR PROPOSED IRRIGATION LEGEND AND NOTES.
 2. REFER TO SHEET P-2 THROUGH P-4 FOR PLANTING ZONE LAYOUT.
 3. CONTRACTOR MAY ACCESS PLANTING AREAS FROM GOLF COURSE, COORDINATE ACCESS WITH GOLF COURSE STAFF

AS BUILT

CORRECTIONS BY Gary Ziss

CONTRACT NO. _____

DATE 6/1/16

3/12/2014 3:10:44 PM 19446 FILE: G:\CAD\Projects\DavidEvans\00489-08_RosevilleBridge\Plans\I-4.dgn

NO.	REVISIONS DESCRIPTION	DATE	BY

BENCH MARK	ELEV. <u>54.58</u>	FIELD BOOK N/A
DESCRIPTION: All elevations are based on a differential level loop. Elevations were all relative to NGS Bench Mark (PID=JS0989) NAVD 88 Elevation: 54.58 (NGVD29 Elevation: 52.04 feet)		
SCALE HORIZ. 1"=20' VERT. _____		

CITY OF SACRAMENTO
DEPARTMENT OF PUBLIC WORKS

DRAWN BY: <u>A. ANGIER</u>	DESIGNED BY: <u>K. LANTZ</u>	CHECKED BY: <u>K. LANTZ</u>
DATE <u>MAR 2014</u>	P.L.A. <u>5400</u> DATE <u>MAR 2014</u>	P.L.A. <u>5400</u> DATE <u>MAR 2014</u>



IMPROVEMENT PLANS FOR
ROSEVILLE ROAD - ARCADE CREEK BRIDGE REPLACEMENT
IRRIGATION PLAN - CITY MITIGATION SITE

PN: T15068500 SHEET I-4 52/61

3/12/2014 3:45:58 PM 19446 FILE: G:\CAD\Projects\DavidEvans\00489-08_RosevilleBridge\Plans\P-1.dgn

CDFW MITIGATION RESTORATION PLANTING PROGRAM										
SYMBOL	PLANTING ZONE	DETAIL REFERENCE	SPECIES NAME		AVERAGE PLANT SPACING (FEET ON-CENTER)	PERCENTAGE OF PLANT PALETTE	CONTAINER PLANT		PLANTING NOTES	
			BOTANICAL NAME	COMMON NAME			SIZE	QUANTITY		
[Cross-hatch symbol]	RIPARIAN WOODLAND UNDERSTORY (0.12 AC)	4/D-4 2/D-5 3/D-5	ARTEMISIA DOUGLASIANA	MUGWORT	2'O.C WITHIN CLUSTERS, 15' O.C. BETWEEN CLUSTERS	25	TREEBAND	18	PLANT IN CLUSTERS OF 3	
			CAREX BARBARAE	SANTA BARBARA SEDGE	2'O.C WITHIN CLUSTERS, 15' O.C. BETWEEN CLUSTERS	15	TREEBAND	12	PLANT IN CLUSTERS OF 3	
			LEYMUS TRITICOIDES	CREEPING WILDRYE	2'O.C WITHIN CLUSTERS, 15' O.C. BETWEEN CLUSTERS	40	TREEBAND	30	PLANT IN CLUSTERS OF 3	
	RIPARIAN WOODLAND (0.124 AC)	2/D-4 1/D-5	3/D-4, 1/D-5	ROSA CALIFORNICA	CALIFORNIA WILD ROSE	8' O.C.	20	1 GALLON	17	
			ACER NEGUNDO	BOX ELDER	8' O.C.	15	TREEPOT 4	13		
			ALNUS RHOMBIFOLIA	WHITE ALDER	8' O.C.	10	TREEPOT 4	9		
FRAXINUS LATIFOLIA			OREGON ASH	8' O.C.	10	TREEPOT 4	9			
PLATANUS RACEMOSA			CALIFORNIA SYCAMORE	8' O.C.	10	TREEPOT 4	9			
POPULUS FREMONTII			FREMONT COTTONWOOD	8' O.C.	20	TREEPOT 4	17			
QUERCUS LOBATA	VALLEY OAK	8' O.C.	35	TREEPOT 4	28					
OAK WOODLAND UNDERSTORY (0.47 AC)	4/D-4 2/D-5 3/D-5	3/D-4, 1/D-5	ARTEMISIA DOUGLASIANA	MUGWORT	2'O.C WITHIN CLUSTERS, 15' O.C. BETWEEN CLUSTERS	25	TREEBAND	120	PLANT IN CLUSTERS OF 3	
			CAREX BARBARAE	SANTA BARBARA SEDGE	2'O.C WITHIN CLUSTERS, 15' O.C. BETWEEN CLUSTERS	15	TREEBAND	72	PLANT IN CLUSTERS OF 3	
			LEYMUS TRITICOIDES	CREEPING WILDRYE	2'O.C WITHIN CLUSTERS, 15' O.C. BETWEEN CLUSTERS	40	TREEBAND	192	PLANT IN CLUSTERS OF 3	
	OAK WOODLAND (0.47 AC)	2/D-4 1/D-5	3/D-4, 1/D-5	RHAMNUS CALIFORNICA	COFFEEBERRY	8' O.C.	20	1 GALLON	95	
			CERCIS OCCIDENTALIS	WESTERN REDBUD	8' O.C.	10	TREEPOT 4	48		
			PLATANUS RACEMOSA	CALIFORNIA SYCAMORE	8' O.C.	10	TREEPOT 4	48		
QUERCUS LOBATA	VALLEY OAK	8' O.C.	45	TREEPOT 4	215					
QUERCUS WISLIZENII	INTERIOR LIVE OAK	8' O.C.	35	TREEPOT 4	166					

NOTE: MITIGATION REQUIRES REPLACEMENT OF 511" DBH, THIS PLAN HAS 562" OF TREE REPLACEMENT TO ALLOW FOR 10% MOTALITY. EACH TREEPOT 4 PLANT IS EQUIVALENT TO 1-INCH TREE REPLACEMENT MITIGATION.

CITY MITIGATION RESTORATION PLANING PROGRAM										
SYMBOL	PLANTING ZONE	DETAIL REFERENCE	SPECIES NAME		AVERAGE PLANT SPACING (FEET ON-CENTER)	PERCENTAGE OF PLANT PALETTE	CONTAINER PLANT		PLANTING NOTES	
			BOTANICAL NAME	COMMON NAME			SIZE	QUANTITY		
[Vertical lines symbol]	OAK WOODLAND UNDERSTORY (0.107 AC)	4/D-4 2/D-5 3/D-5	ARTEMISIA DOUGLASIANA	MUGWORT	2'O.C WITHIN CLUSTERS, 15' O.C. BETWEEN CLUSTERS	30	TREEBAND	135	PLANT IN CLUSTERS OF 3	
			LEYMUS TRITICOIDES	CREEPING WILDRYE	2'O.C WITHIN CLUSTERS, 15' O.C. BETWEEN CLUSTERS	50	TREEBAND	225	PLANT IN CLUSTERS OF 3	
			3/D-4, 1/D-5	RHAMNUS CALIFORNICA	COFFEEBERRY	8' O.C.	20	1-GAL	105	
	OAK WOODLAND (0.107 AC)	2/D-4, 1/D-5	3/D-4, 1/D-5	CERCIS OCCIDENTALIS	WESTERN REDBUD	8' O.C.	20	TREEPOT 4	96	
			QUERCUS LOBATA	VALLEY OAK	8' O.C.	45	TREEPOT 4	217		
			QUERCUS WISLIZENII	INTERIOR LIVE OAK	8' O.C.	35	TREEPOT 4	169		
OAK WOODLAND	1/D-4		QUERCUS LOBATA	VALLEY OAK	PER PLANS		15-GAL	22		
			QUERCUS WISLIZENII	INTERIOR LIVE OAK	PER PLANS		15-GAL	22		

NOTE: CITY MITIGATION REQUIRES REPLACEMENT OF 478" DBH, THIS PLAN HAS 526" OF TREE REPLACEMENT TO ALLOW FOR 10% MORTALITY. EACH TREEPOT 4 PLANT AND EACH 15-GALLON PLANT IS EQUIVALENT TO 1-INCH TREE REPLACEMENT MITIGATION.

PLANTING PROGRAM NOTES

- TREEBAND CONTAINER SIZE SHALL BE 2.25 INCHES SQUARE X 5 INCHES DEEP.
- 1-GALLON CONTAINER SIZE SHALL BE 6 INCHES DIAMETER X 7 INCHES DEEP.
- TREEPOT CONTAINER SIZE SHALL BE 4 INCHES SQUARE X 14 INCHES DEEP.
- THE UNDERLINED TEXT OF THE BOTANICAL NAME OF THE PLANT CORRESPONDS TO THE PLANT CODES USED ON THE PLANT LABELS IN THE PLANTING PLANS.
- AVERAGE PLANT SPACING IS PROVIDED FOR QUANTITY PURPOSES AND ROUGH PLACEMENT; REFER TO DETAILS 1/D-5 AND 2/D-5 FOR GENERAL PLANT LAYOUT.



GENERAL PLANTING NOTES

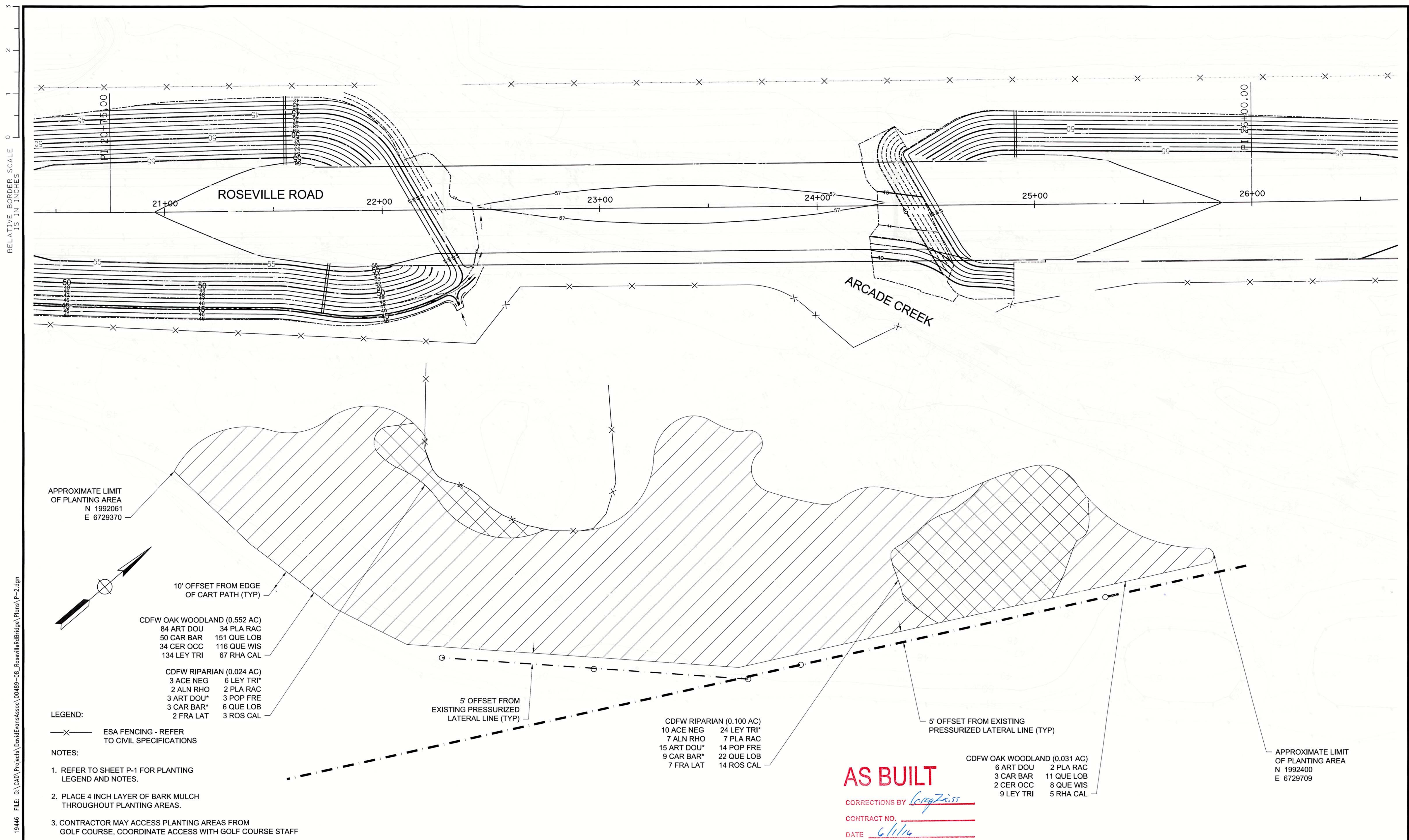
- SEE TECHNICAL SPECIFICATIONS AND GENERAL NOTES FOR ADDITIONAL INFORMATION TO CONSIDER IN PLANTING INSTALLATION INCLUDING INFRASTRUCTURE AND UTILITIES PROTECTION AND REPAIR INFORMATION.
- WITHIN 10 DAYS OF AWARD OF CONTRACT, THE CONTRACTOR SHALL NOTIFY THE ENGINEER IF SPECIFIED PLANT MATERIALS ARE NOT AVAILABLE. THE CONTRACTOR SHALL PROVIDE A LIST OF PLANT MATERIAL THEY HAVE NOT BEEN ABLE TO LOCATE AND A LIST OF NO LESS THAN 10 NURSERIES OR PLANT SUPPLIERS THAT HAVE BEEN CONTACTED BY THE CONTRACTOR WHO HAVE INDICATED THEY DO NOT HAVE THE PLANT MATERIAL. ALL SUGGESTED PLANT SUBSTITUTIONS SHALL BE APPROVED BY THE ENGINEER. IN THE EVENT THE ENGINEER IS NOT NOTIFIED WITHIN 10 DAYS OF THE AWARD OF CONTRACT, THE CONTRACTOR WILL BE RESPONSIBLE FOR SPECIAL ORDERING PLANT MATERIAL TO THE SATISFACTION OF THE OWNER AND THE COST WILL NOT ALTER THE ORIGINAL BID.
- THE CONTRACTOR SHALL FURNISH AND INSTALL ALL PLANTS SHOWN DIAGRAMMATICALLY ON THE DRAWINGS.
- WHERE IRRIGATION SYSTEMS ARE INSTALLED, THEY SHALL BE IN PLACE, FULLY OPERATIONAL, AND APPROVED BY THE ENGINEER PRIOR TO PLANTING AND SEEDING.
- A LICENSED HERBICIDE APPLICATOR SHALL APPLY A TOPICAL SYSTEMIC HERBICIDE WHERE WEEDS ARE PRESENT PER MANUFACTURER'S SPECIFICATIONS A MINIMUM OF TEN DAYS PRIOR TO COMMENCEMENT OF ANY PLANTING OR IRRIGATION WORK. WEEDS AND TREES INCLUDING THEIR ROOTS SHALL BE ALLOWED TO COMPLETELY DIE BACK BEFORE PROCEEDING WITH WORK.
- PROTECTION FENCING SHALL BE IN PLACE PRIOR TO PLANTING.
- PROTECT ALL EXISTING PLANT MATERIAL TO REMAIN, INCLUDING ANY INDICATED TREES. THE CONTRACTOR SHALL REPLACE, AT NO COST TO OWNER, PLANT MATERIAL INDICATED AS EXISTING ON PLANS THAT IS DAMAGED OR ALLOWED TO DIE AS A RESULT OF THE NEGLIGENCE OF THE CONTRACTOR.
- ALL CONTAINER PLANTS MUST BE PLANTED WITHIN 3 WORKING DAYS FOLLOWING DELIVERY TO THE SITE. THE CONTRACTOR SHALL BE RESPONSIBLE FOR WATERING AND PROTECTING ALL PLANTS AND MATERIALS STORED ON-SITE.
- CONTAINER PLANTS LOCATIONS SHALL BE FLAGGED BY THE CONTRACTOR FOR APPROVAL BY THE ENGINEER, THE CONTRACTOR SHALL ACQUIRE FINAL APPROVAL FROM THE ENGINEER PRIOR TO EXCAVATING PLANTING HOLES.
- TREES SHALL NOT BE PLANTED WITHIN 5 FEET OF A WATER MAIN OR IRRIGATION MAIN LINE AS MEASURED FROM THE EDGE OF THE TRUNK AND 10 FEET FROM A CART PATH.
- PLANTING SHALL ONLY OCCUR WHEN ENVIRONMENTAL CONDITIONS ARE FAVORABLE FOR SUCH ACTIVITIES, BASED ON STANDARD HORTICULTURAL PRACTICES. PLANTING OR SEEDING SHALL NOT TAKE PLACE IF TEMPERATURES ARE UNSEASONABLY HIGH OR IF THE SITE IS EXCESSIVELY WET OR MUDDY.
- CONTAINER PLANTS SHALL BE PLANTED PER DETAIL(S), AND SHALL BE WATERED IN THOROUGHLY IMMEDIATELY AFTER BEING PLANTED.
- A 4 INCH LAYER OF BARK MULCH SHALL BE APPLIED THROUGHOUT ALL PLANING AREAS AFTER ALL PLANT INSTALLATION HAS CONCLUDED.
- CONTRACTOR SHALL MAINTAIN ALL PLANTING WORK FOR A PERIOD OF 180 CONTINUOUS CALENDAR DAYS (PLANT MAINTENANCE PERIOD). THE 180 DAY MAINTENANCE PERIOD SHALL BEGIN IMMEDIATELY FOLLOWING THE FINAL ACCEPTANCE OF THE INSTALLATION.

No CHANGE ON THIS SHEET

AS BUILT

CORRECTIONS BY Gary Zeiss
 CONTRACT NO. _____
 DATE 6/1/16

REVISIONS NO. DESCRIPTION DATE BY				BENCH MARK ELEV. 54.58 DESCRIPTION: All elevations are based on a differential level loop. Elevations were all relative to NGS Bench Mark (PID=JS0989) NAVD 88. Elevation: 54.58 (NGVD29 Elevation: 52.04 feet)		FIELD BOOK N/A SCALE _____ HORIZ. _____ VERT. _____		CITY OF SACRAMENTO DEPARTMENT OF PUBLIC WORKS				 		IMPROVEMENT PLANS FOR ROSEVILLE ROAD - ARCADE CREEK BRIDGE REPLACEMENT PLANTING NOTES AND PROGRAM		SHEET P-1 53/61
				DRAWN BY: <u>A. ANGIER</u> DATE: <u>MAR 2014</u>		DESIGNED BY: <u>K. LANTZ</u> P.L.A. 5400 DATE: <u>MAR 2014</u>		CHECKED BY: <u>K. LANTZ</u> P.L.A. 5400 DATE: <u>MAR 2014</u>				630 K Street, Suite 400, Sacramento, CA 95814		PN: T15068500		



AS BUILT

CORRECTIONS BY *Craig Faiss*
 CONTRACT NO. _____
 DATE *6/1/14*

3/12/2014 3:27:42 PM 19446 FILE: G:\CAD\Projects\DavidExams\00489-08_RosevilleBridge\Plans\P-2.dgn

REVISIONS			
NO.	DESCRIPTION	DATE	BY

BENCH MARK	ELEV.	54.58
DESCRIPTION: All elevations are based on a differential level loop. Elevations were all relative to NGS Bench Mark (PID=JS0989) NAVD 88 Elevation: 54.58 (NGVD29 Elevation: 52.04 feet)		

FIELD BOOK	N/A
SCALE	HORIZ. 1"=20'
VERT.	

CITY OF SACRAMENTO
DEPARTMENT OF PUBLIC WORKS

DRAWN BY: A. ANGIER	DESIGNED BY: K. LANTZ	CHECKED BY: K. LANTZ
DATE: MAR 2014	P.L.A. 5400 DATE: MAR 2014	P.L.A. 5400 DATE: MAR 2014

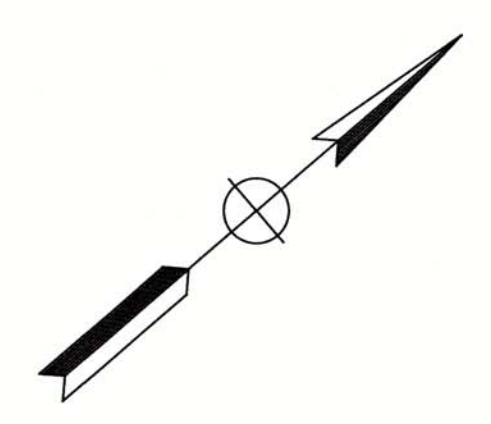


ICF INTERNATIONAL
630 K Street, Suite 400, Sacramento, CA 95814

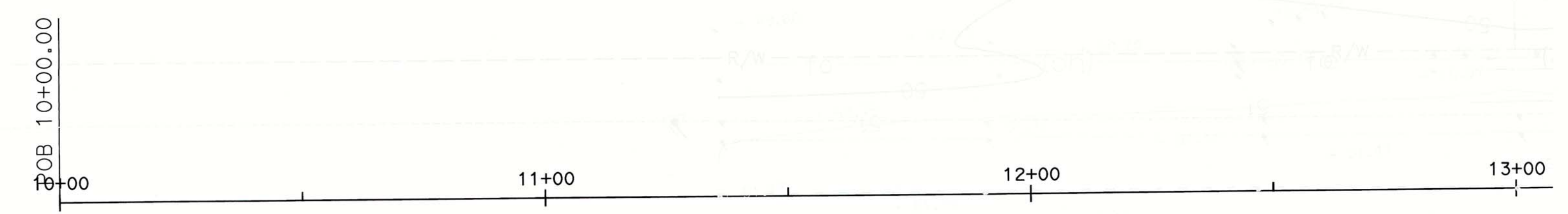
IMPROVEMENT PLANS FOR
ROSEVILLE ROAD - ARCADE CREEK BRIDGE REPLACEMENT
PLANTING PLAN - CDFW MITIGATION SITE

PN: T15068500 SHEET P-2 54/61

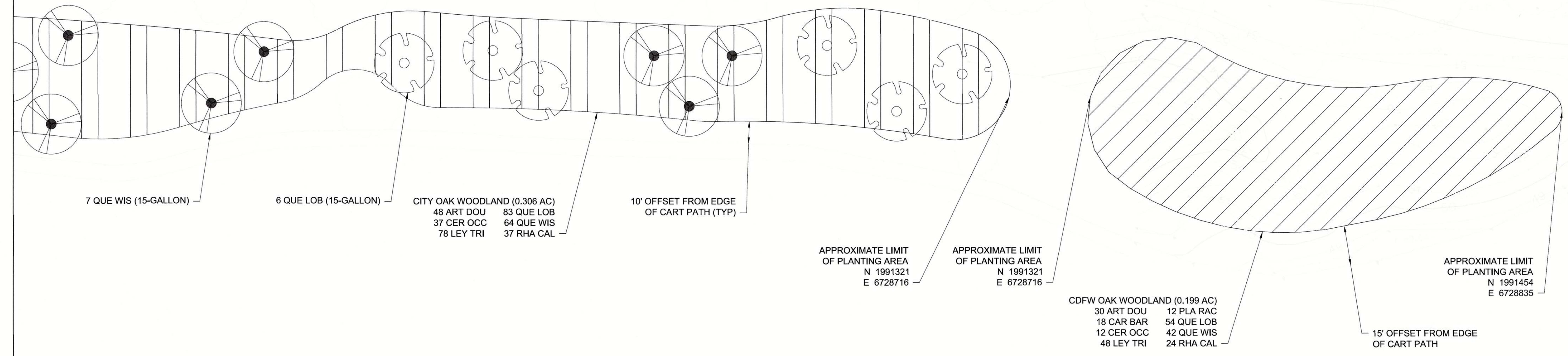
RELATIVE BORDER SCALE IS IN INCHES



ROSEVILLE ROAD



MATCH LINE
SEE SHEET P-4



7 QUE WIS (15-GALLON)

6 QUE LOB (15-GALLON)

CITY OAK WOODLAND (0.306 AC)
48 ART DOU 83 QUE LOB
37 CER OCC 64 QUE WIS
78 LEY TRI 37 RHA CAL

10' OFFSET FROM EDGE OF CART PATH (TYP)

APPROXIMATE LIMIT OF PLANTING AREA
N 1991321
E 6728716

APPROXIMATE LIMIT OF PLANTING AREA
N 1991321
E 6728716

CDFW OAK WOODLAND (0.199 AC)
30 ART DOU 12 PLA RAC
18 CAR BAR 54 QUE LOB
12 CER OCC 42 QUE WIS
48 LEY TRI 24 RHA CAL

15' OFFSET FROM EDGE OF CART PATH

APPROXIMATE LIMIT OF PLANTING AREA
N 1991454
E 6728835

NOTES:

1. REFER TO SHEET P-1 FOR PLANTING LEGEND AND NOTES.
2. PLACE 4 INCH LAYER OF BARK MULCH THROUGHOUT PLANTING AREAS.
3. CONTRACTOR MAY ACCESS PLANTING AREAS FROM GOLF COURSE, COORDINATE ACCESS WITH GOLF COURSE STAFF

AS BUILT
CORRECTIONS BY *Greg Zeiss*
CONTRACT NO. _____
DATE *6/1/14*

19:46 FILE: G:\CAD\Projects\DavidEvensAssoc\00489-08_RosevilleBridge\Plans\P-3.dgn 3/12/2014 3:23:52 PM

REVISIONS				BENCH MARK		FIELD BOOK
NO.	DESCRIPTION	DATE	BY	ELEV.		N/A
				54.58		
				DESCRIPTION:		SCALE
				All elevations are based on a differential level loop. Elevations were all relative to NGS Bench Mark (PID=JS0989) NAVD 88. Elevation: 54.58 (NGVD29 Elevation: 52.04 feet)		HORIZ. 1"=20'
						VERT. _____

CITY OF SACRAMENTO
DEPARTMENT OF PUBLIC WORKS

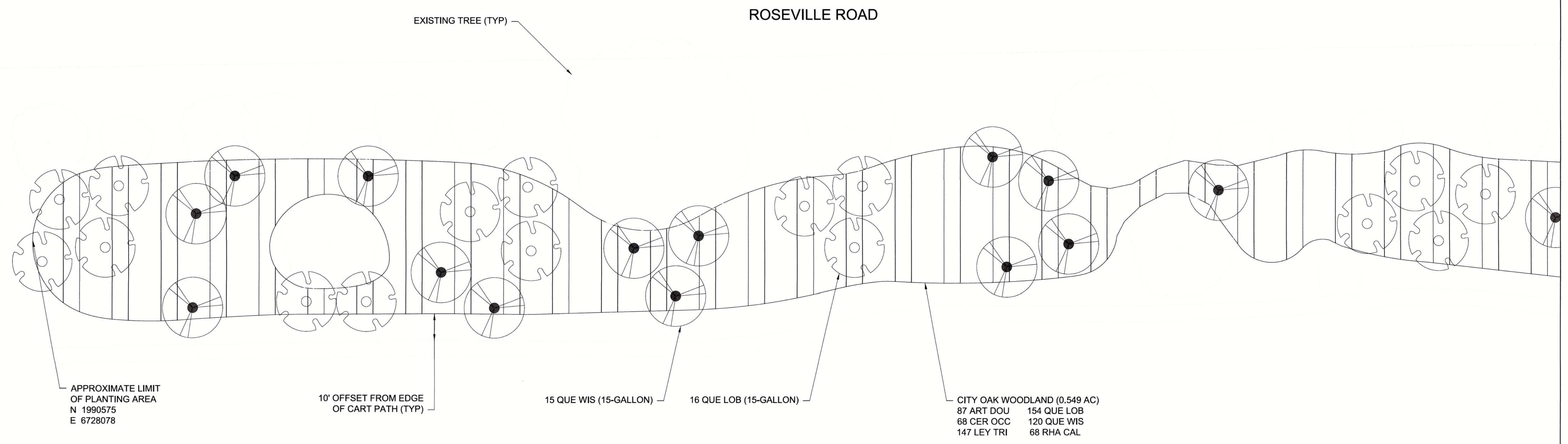
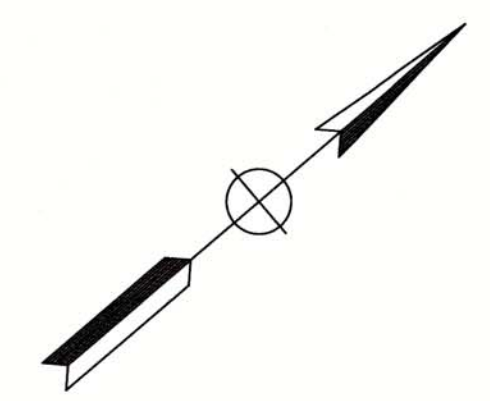
DRAWN BY: <u>A. ANGIER</u>	DESIGNED BY: <u>K. LANTZ</u>	CHECKED BY: <u>K. LANTZ</u>
DATE <u>MAR 2014</u>	P.L.A. <u>5400</u> DATE <u>MAR 2014</u>	P.L.A. <u>5400</u> DATE <u>MAR 2014</u>

ICF INTERNATIONAL
630 K Street, Suite 400, Sacramento, CA 95814

IMPROVEMENT PLANS FOR
ROSEVILLE ROAD - ARCADE CREEK BRIDGE REPLACEMENT
PLANTING PLAN - CDFW AND CITY MITIGATION SITES

PN: T15068500 SHEET P-3 55/61

RELATIVE BORDER SCALE IS IN INCHES



MATCH LINE
SEE SHEET P-3

- NOTES:
1. REFER TO SHEET P-1 FOR PLANTING LEGEND AND NOTES.
 2. PLACE 4 INCH LAYER OF BARK MULCH THROUGHOUT PLANTING AREAS.
 3. CONTRACTOR MAY ACCESS PLANTING AREAS FROM GOLF COURSE, COORDINATE ACCESS WITH GOLF COURSE STAFF

AS BUILT
CORRECTIONS BY Greg Zaiss
CONTRACT NO. _____
DATE 6/1/14

3/12/2014 3:28:24 PM 19446 FILE: G:\CAD\Projects\DavidEvans\00489-08_RosevilleBridge\Plans\P-4.dgn

REVISIONS			
NO.	DESCRIPTION	DATE	BY

BENCH MARK	ELEV. <u>54.58</u>
DESCRIPTION: All elevations are based on a differential level loop. Elevations were all relative to NGS Bench Mark (PID=JS0989) NAVD 88 Elevation: 54.58 (NGVD29 Elevation: 52.04 feet)	

FIELD BOOK	N/A
SCALE	HORIZ. 1"=20'
VERT.	_____

CITY OF SACRAMENTO
DEPARTMENT OF PUBLIC WORKS

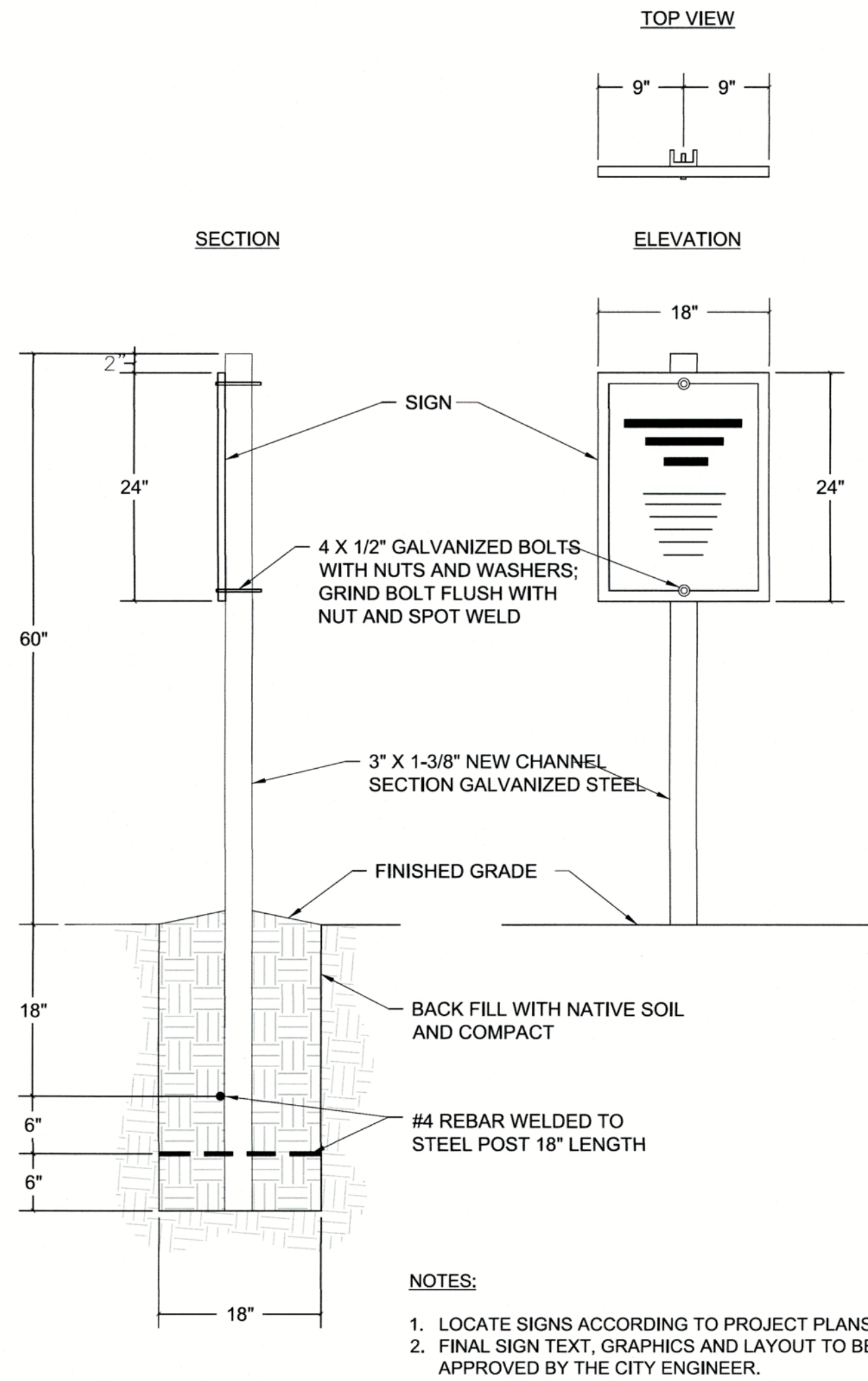
DRAWN BY: <u>A. ANGIER</u>	DESIGNED BY: <u>K. LANTZ</u>	CHECKED BY: <u>K. LANTZ</u>
DATE <u>MAR 2014</u>	P.L.A. <u>5400</u> DATE <u>MAR 2014</u>	P.L.A. <u>5400</u> DATE <u>MAR 2014</u>



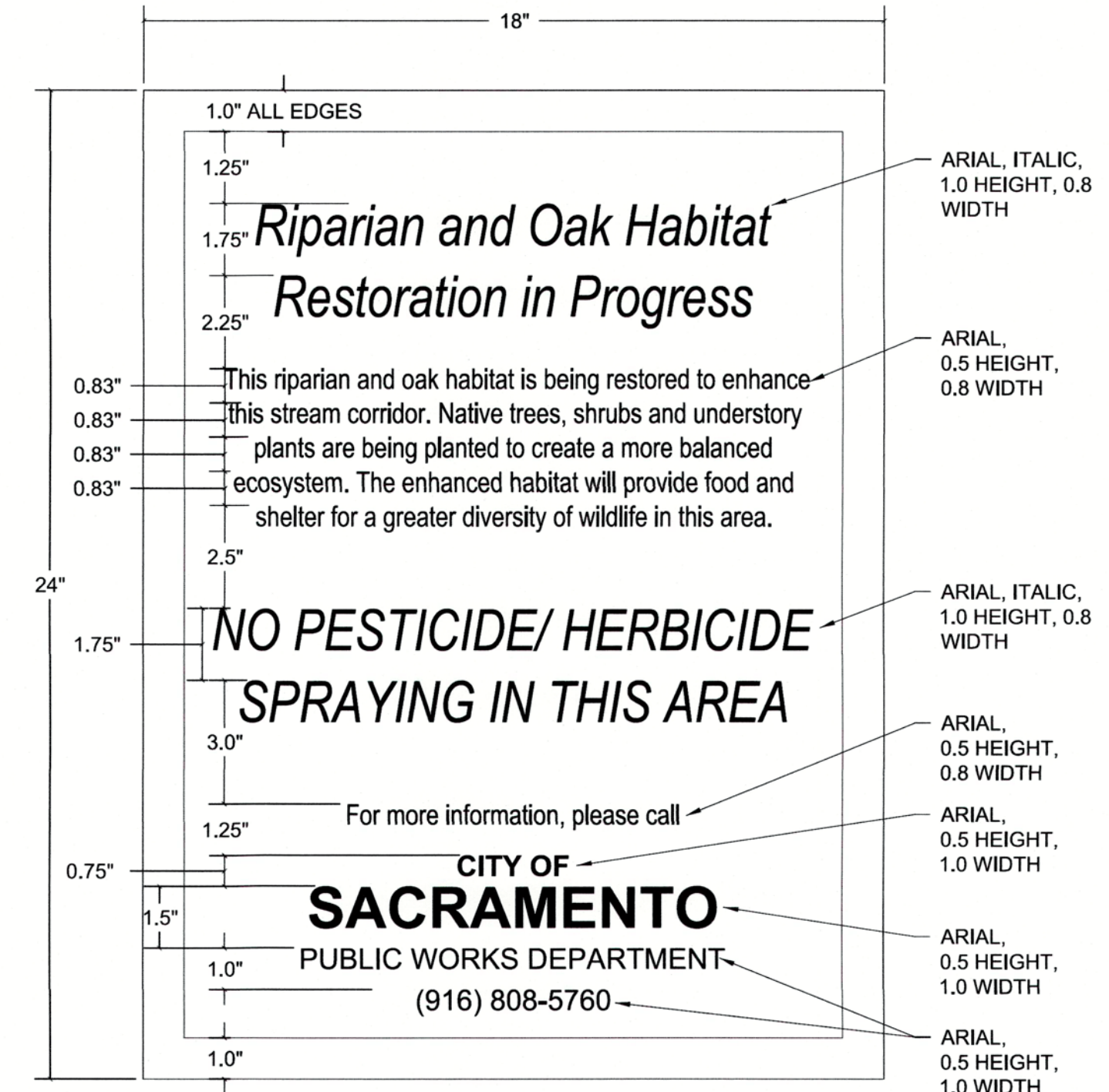
IMPROVEMENT PLANS FOR
ROSEVILLE ROAD - ARCADE CREEK BRIDGE REPLACEMENT
PLANTING PLAN - CITY MITIGATION SITE

PN: T15068500 SHEET P-4 56/61

RELATIVE BORDER SCALE IS IN INCHES



- NOTES:
1. LOCATE SIGNS ACCORDING TO PROJECT PLANS.
 2. FINAL SIGN TEXT, GRAPHICS AND LAYOUT TO BE APPROVED BY THE CITY ENGINEER.



- NOTES:
1. CENTER ALL TEXT HORIZONTALLY ON SIGN.
 2. FINAL SIGN TEXT, GRAPHICS AND LAYOUT TO BE APPROVED BY THE CITY ENGINEER.

1 INFORMATIONAL SIGN
D-1 NOT TO SCALE

AS BUILT
CORRECTIONS BY Gary Weiss
CONTRACT NO. _____
DATE 6/1/16

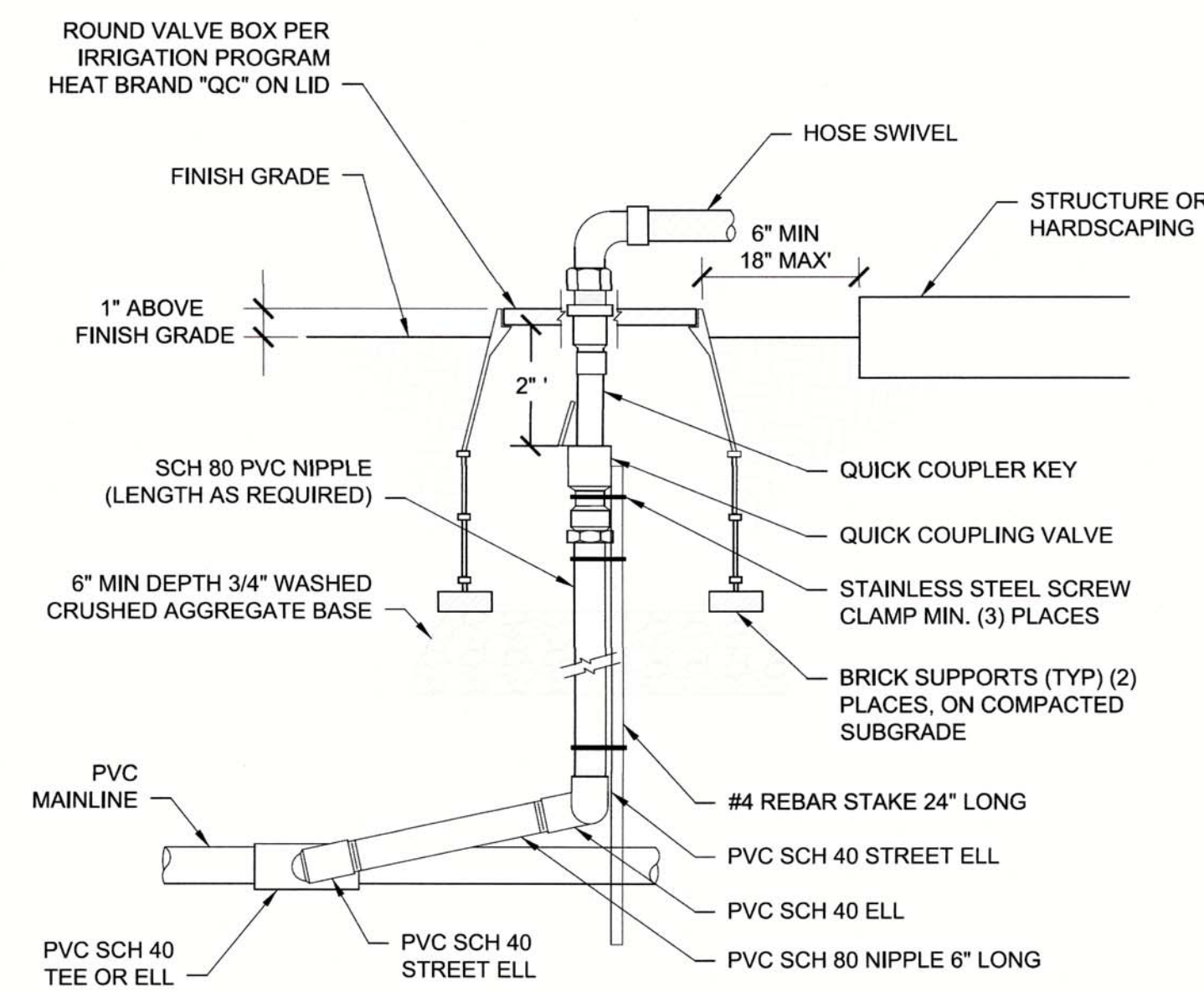
No CHANGE THIS SHEET

3/12/2014 3:45:15 PM 19446 FILE: G:\CAD\Projects\David\Compassco\00489-08_RosevilleBridge\Plans\D-1.dgn

REVISIONS				BENCH MARK		FIELD BOOK		CITY OF SACRAMENTO				LICENSURE		ICF INTERNATIONAL		IMPROVEMENT PLANS FOR	
NO.	DESCRIPTION	DATE	BY	ELEV.	DESCRIPTION	N/A	SCALE	DEPARTMENT OF PUBLIC WORKS				Landscape Architect		630 K Street, Suite 400, Sacramento, CA 95814		ROSEVILLE ROAD - ARCADE CREEK BRIDGE REPLACEMENT	
				54.58	All elevations are based on a differential level loop. Elevations were all relative to NGS Bench Mark (PID=JS0989) NAVD 88 Elevation: 54.58 (NGVD29 Elevation: 52.04 feet)			DRAWN BY: <u>A. ANGIER</u> DATE <u>MAR 2014</u>				DESIGNED BY: <u>K. LANTZ</u> P.L.A. <u>5400</u> DATE <u>MAR 2014</u>		CHECKED BY: <u>K. LANTZ</u> P.L.A. <u>5400</u> DATE <u>MAR 2014</u>		SHEET D-1	
<p>3/12/2014 3:45:15 PM 19446 FILE: G:\CAD\Projects\David\Compassco\00489-08_RosevilleBridge\Plans\D-1.dgn</p>																	

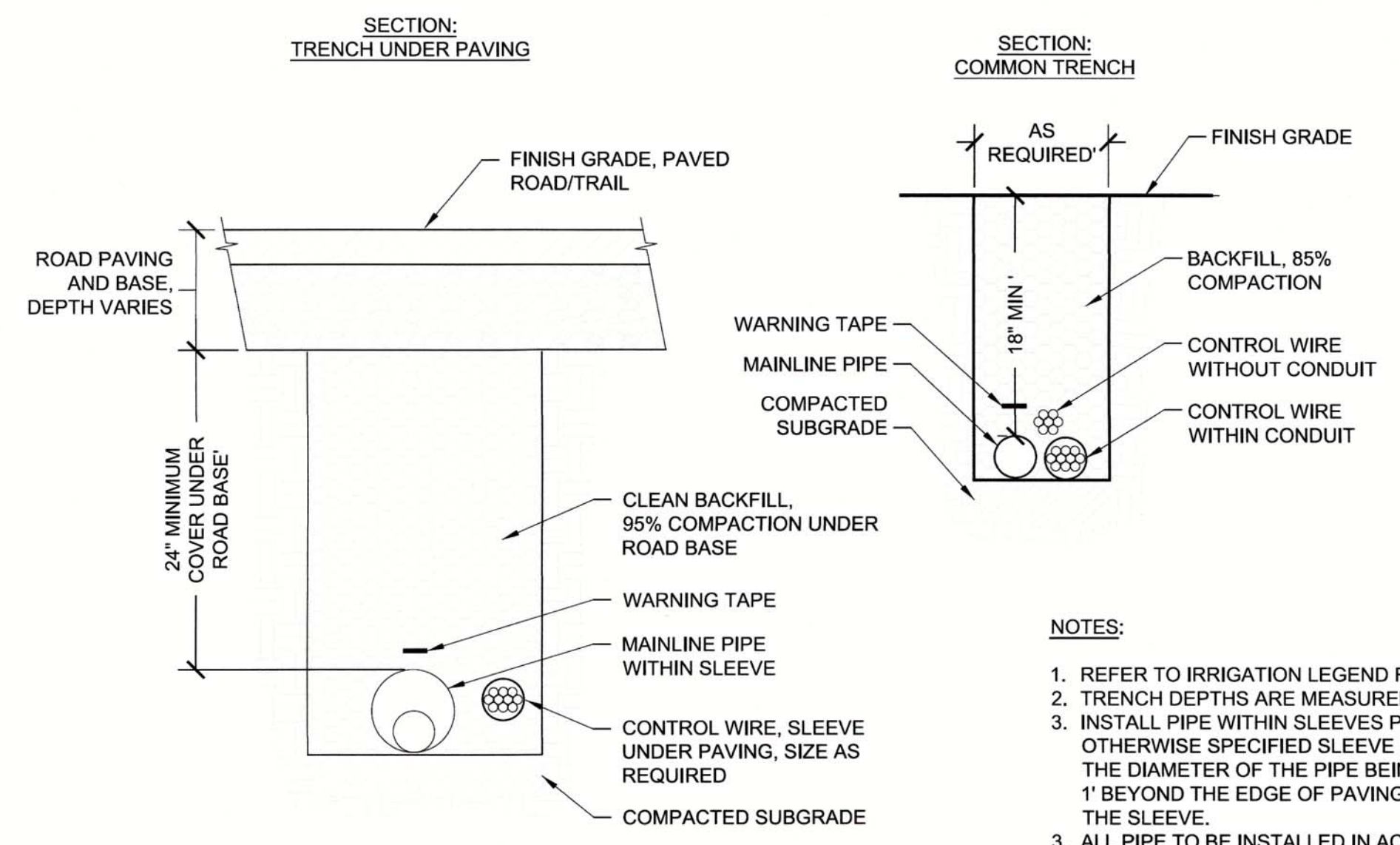
PN: T15068500
57/61

RELATIVE BORDER SCALE IS IN INCHES



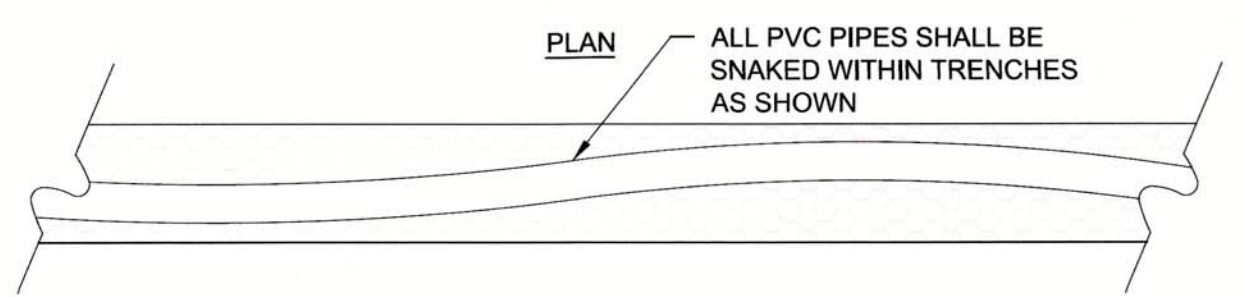
- NOTES:**
1. REFER TO IRRIGATION LEGEND FOR MANUFACTURERS AND MODELS.
 2. INSTALL QUICK COUPLING VALVE IN PLANTING BEDS WHEREVER POSSIBLE.
 3. INSTALL VALVE BOX SO THAT TOP OF BOX IS FLUSH WITH ADJACENT HARDSCAPE.
 4. USE TEFLON TAPE ON ALL THREADED FITTINGS.
 5. PLACE 3/4" DRAIN ROCK PRIOR TO INSTALLING VALVE BOX.
 6. REFER TO SPECIFICATIONS AND PLAN SHEETS FOR ADDITIONAL INFORMATION.

1 QUICK COUPLING VALVE
D-2 NOT TO SCALE



- NOTES:**
1. REFER TO IRRIGATION LEGEND FOR MANUFACTURERS AND MODELS.
 2. TRENCH DEPTHS ARE MEASURED FROM TOP OF FINISHED GRADE.
 3. INSTALL PIPE WITHIN SLEEVES PER PLANS UNDER PAVING. UNLESS OTHERWISE SPECIFIED SLEEVE SIZE SHALL BE A MINIMUM OF TWICE THE DIAMETER OF THE PIPE BEING SLEEVED. SLEEVES SHALL EXTEND 1' BEYOND THE EDGE OF PAVING OR BACK OF CURB NECESSITATING THE SLEEVE.
 4. ALL PIPE TO BE INSTALLED IN ACCORDANCE WITH MANUFACTURER'S INSTALLATION SPECIFICATIONS.
 5. CONTROL WIRES SHALL BE BUNDLED AND TAPED 10' ON CENTER AND PLACED IN TRENCH, TIE A 24" LOOP IN ALL WIRING AT CHANGES IN DIRECTION OF 30 DEGREES OR GREATER, UNTIE ONCE CONNECTIONS HAVE BEEN MADE.
 6. BACKFILL TRENCHES, AFTER SYSTEM HAS BEEN CHARGED TO TEST FOR LEAKS, WITH CLEAN BACKFILL.
 7. REFER TO SPECIFICATIONS AND PLAN SHEETS FOR ADDITIONAL INFORMATION.

2 PIPE TRENCHING
D-2 NOT TO SCALE



NO CHANGE ON THIS SHEET

AS BUILT
CORRECTIONS BY lorajess
CONTRACT NO. _____
DATE 6/1/16

3/12/2014 2:18:46 PM 19446 FILE: G:\CAD\Projects\DavidEvans\Assoc\00489-08_RosevilleBridge\Plans\D-2.dgn

REVISIONS			
NO.	DESCRIPTION	DATE	BY

BENCH MARK	ELEV. <u>54.58</u>
DESCRIPTION: All elevations are based on a differential level loop. Elevations were all relative to NGS Bench Mark (PID=JS0989) NAVD 88 Elevation: 54.58 (NGVD29 Elevation: 52.04 feet)	

CITY OF SACRAMENTO
DEPARTMENT OF PUBLIC WORKS

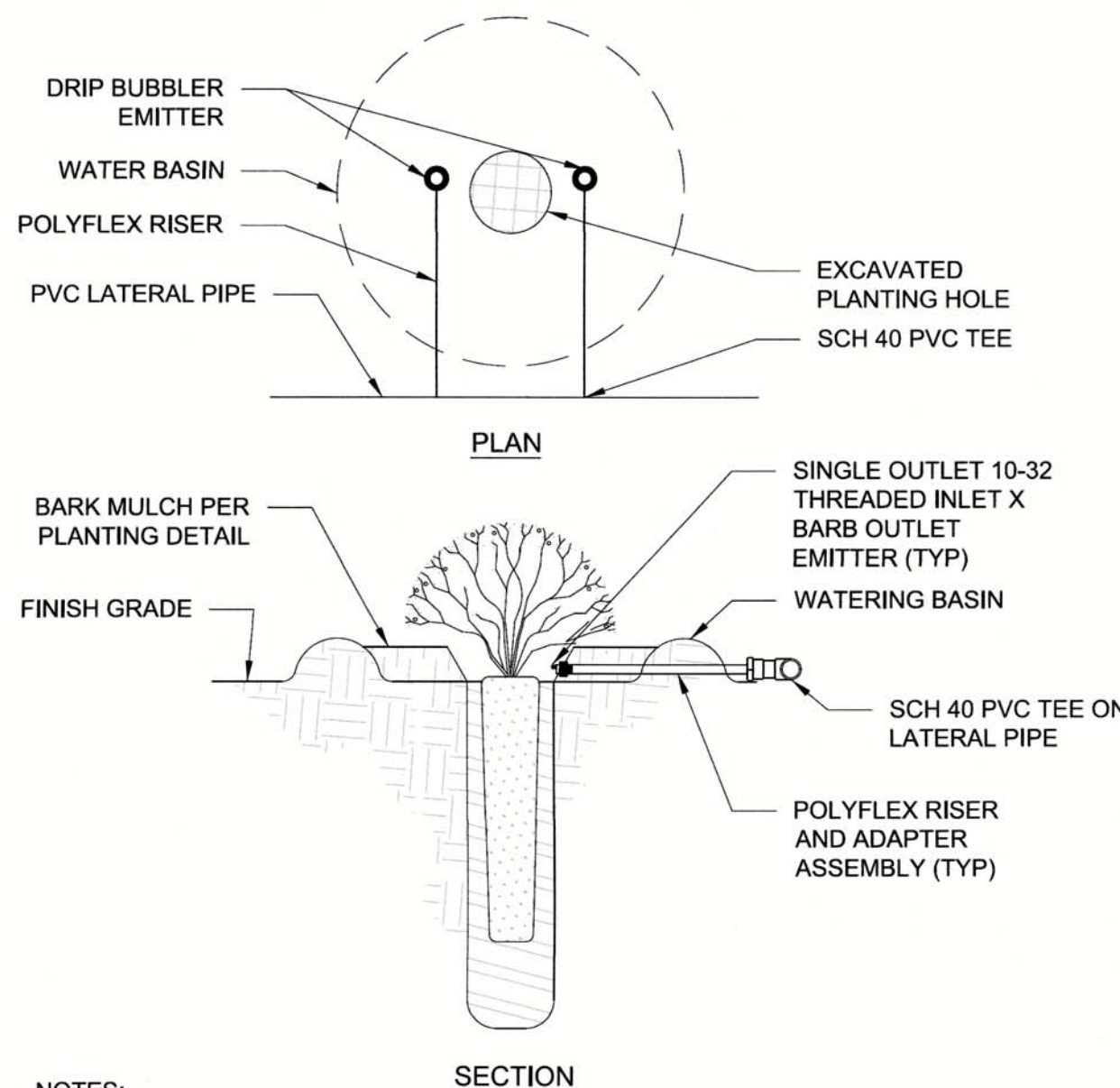
DRAWN BY: <u>A. ANGIER</u>	DESIGNED BY: <u>K. LANTZ</u>	CHECKED BY: <u>K. LANTZ</u>
DATE <u>MAR 2014</u>	P.L.A. <u>5400</u> DATE <u>MAR 2014</u>	P.L.A. <u>5400</u> DATE <u>MAR 2014</u>

ICF INTERNATIONAL
630 K Street, Suite 400, Sacramento, CA 95814

IMPROVEMENT PLANS FOR
ROSEVILLE ROAD - ARCADE CREEK BRIDGE REPLACEMENT
IRRIGATION DETAILS

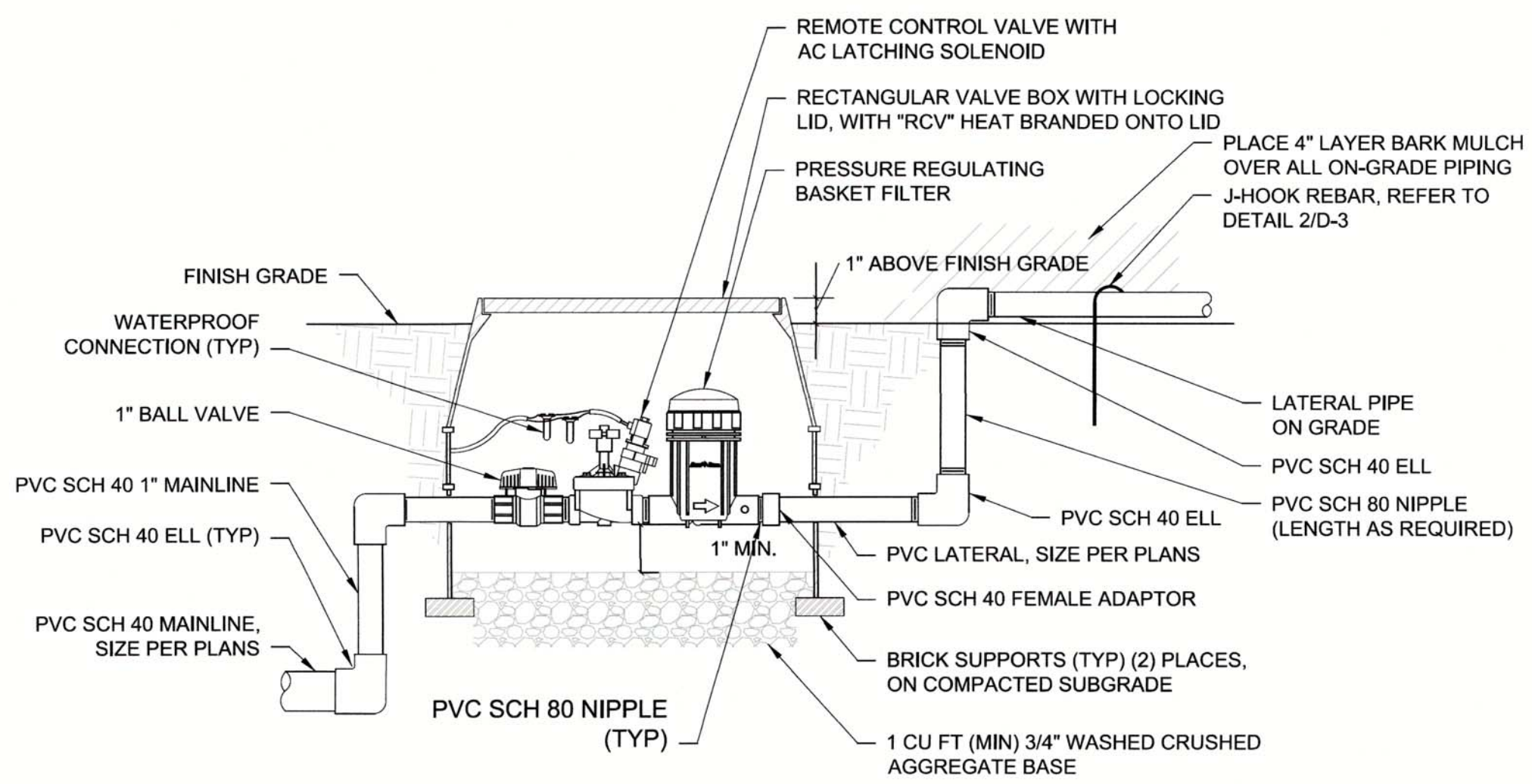
PN: T15068500 SHEET D-2 58/61

RELATIVE BORDER SCALE IS IN INCHES



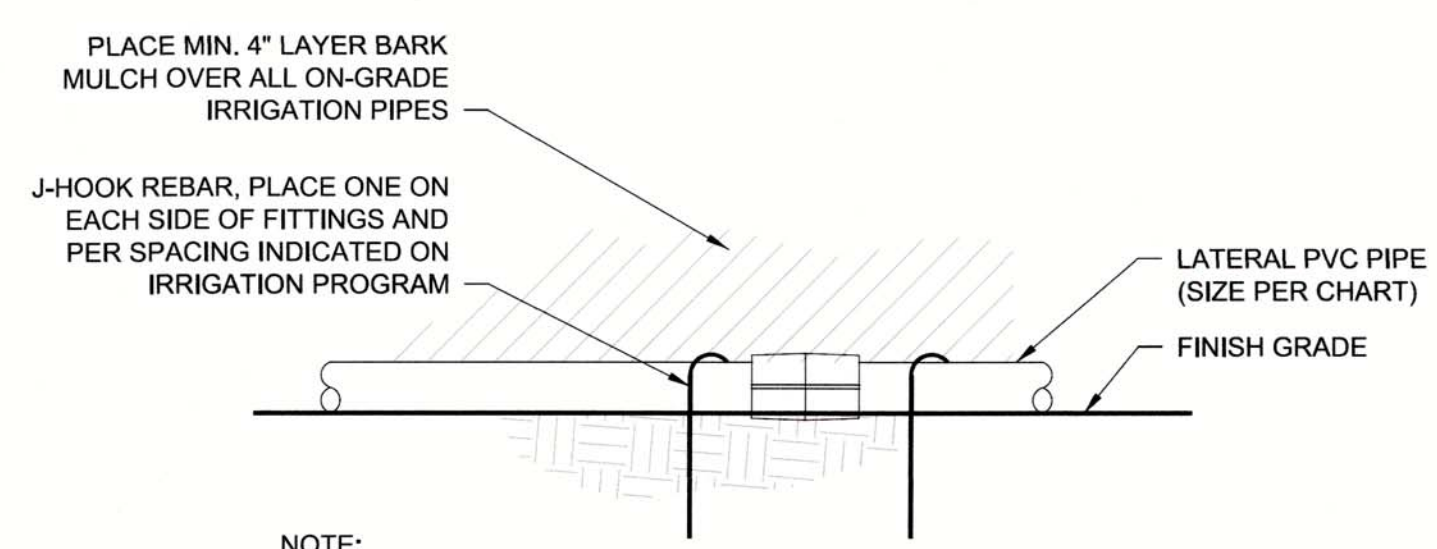
- NOTES:
1. INSTALL 2 PER SMALL CONTAINER PLANT ON OPPOSITE SIDES OF PLANT
 2. INSTALL 3 PER CLUSTER AND 3 PER 15-GALLON PLANT EVENLY SPACED AROUND CLUSTER
 3. EMITTER SHALL BE 2" TO 4" AWAY FROM ROOTBALL
 4. ON SLOPES, PLACE EMITTERS ON UPHILL SIDE OF ROOTBALL
 5. REFER TO IRRIGATION LEGEND FOR MANUFACTURERS AND MODELS AND NUMBER OF EMITTERS TO INSTALL AT EACH LOCATION.
 6. REFER TO SPECIFICATIONS AND PLAN SHEETS FOR ADDITIONAL INFORMATION.

1 DRIP EMITTER
D-3 NOT TO SCALE



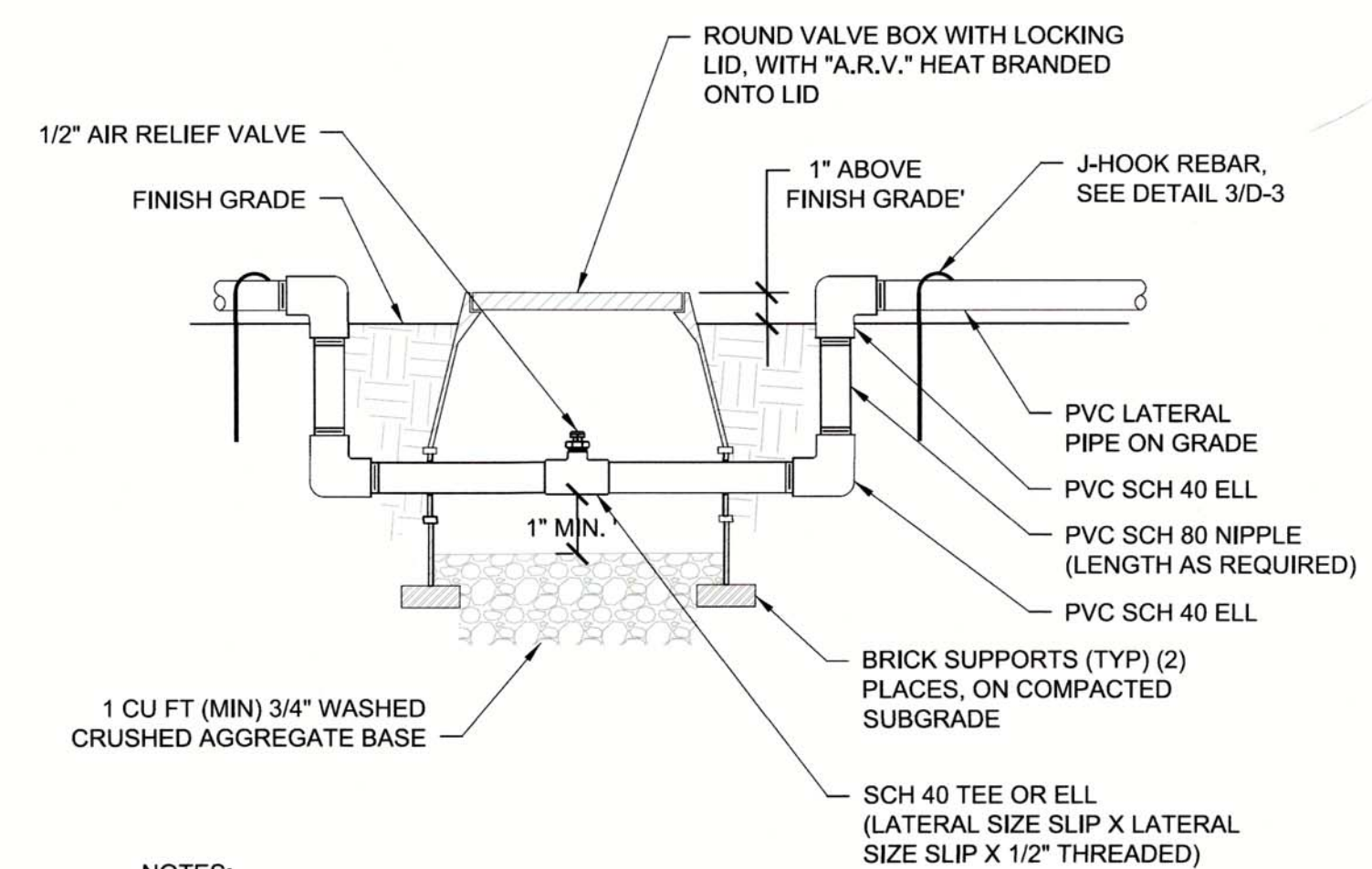
- NOTES:
1. REFER TO IRRIGATION LEGEND FOR MANUFACTURERS AND MODELS.
 2. INSTALL VALVE BOX SO THAT TOP OF BOX IS FLUSH WITH ADJACENT HARDSCAPE
 3. USE TEFLON TAPE ON ALL THREADED FITTINGS.
 4. PLACE 3/4" DRAIN ROCK PRIOR TO INSTALLING VALVE BOX
 5. REFER TO SPECIFICATIONS AND PLAN SHEETS FOR ADDITIONAL INFORMATION.

2 CONTROL VALVE WITH FILTER AND BALL VALVE
D-3 NOT TO SCALE



- NOTE:
1. LATERAL PIPE SHALL BE STAKED TO BARE GROUND; REMOVE ANY HERBACEOUS MATERIAL BETWEEN TUBING AND BARE GROUND.
 2. ON SLOPES, PLACE PIPE PARALLEL TO CONTOURS.

3 ON-GRADE LATERAL PVC PIPE
D-3 NOT TO SCALE



- NOTES:
1. REFER TO IRRIGATION LEGEND FOR MANUFACTURERS AND MODELS.
 2. INSTALL AIR RELIEF VALVE AT HIGHEST POINT IN ZONE.
 3. INSTALL VALVE BOX SO THAT TOP OF BOX IS FLUSH WITH ADJACENT HARDSCAPE
 4. USE TEFLON TAPE ON ALL THREADED FITTINGS.
 5. PLACE 3/4" DRAIN ROCK PRIOR TO INSTALLING VALVE BOX
 6. REFER TO SPECIFICATIONS AND PLAN SHEETS FOR ADDITIONAL INFORMATION.

4 AIR RELIEF VALVE
D-3 NOT TO SCALE

AS BUILT

CORRECTIONS BY Greg Zeiss
CONTRACT NO. _____
DATE 6/1/16

No CHANGE ON THIS SHEET

3/12/2014 2:20:13 PM 19446 FILE: G:\CAD\Projects\DavidE\wv\assoc\00489-08_RosevilleBridge\Plans\D-3.dgn

NO.	REVISIONS DESCRIPTION	DATE	BY

BENCH MARK	ELEV. <u>54.58</u>
DESCRIPTION: All elevations are based on a differential level loop. Elevations were all relative to NGS Bench Mark (PID=JS0989) NAVD 88 Elevation: 54.58 (NGVD29 Elevation: 52.04 feet)	

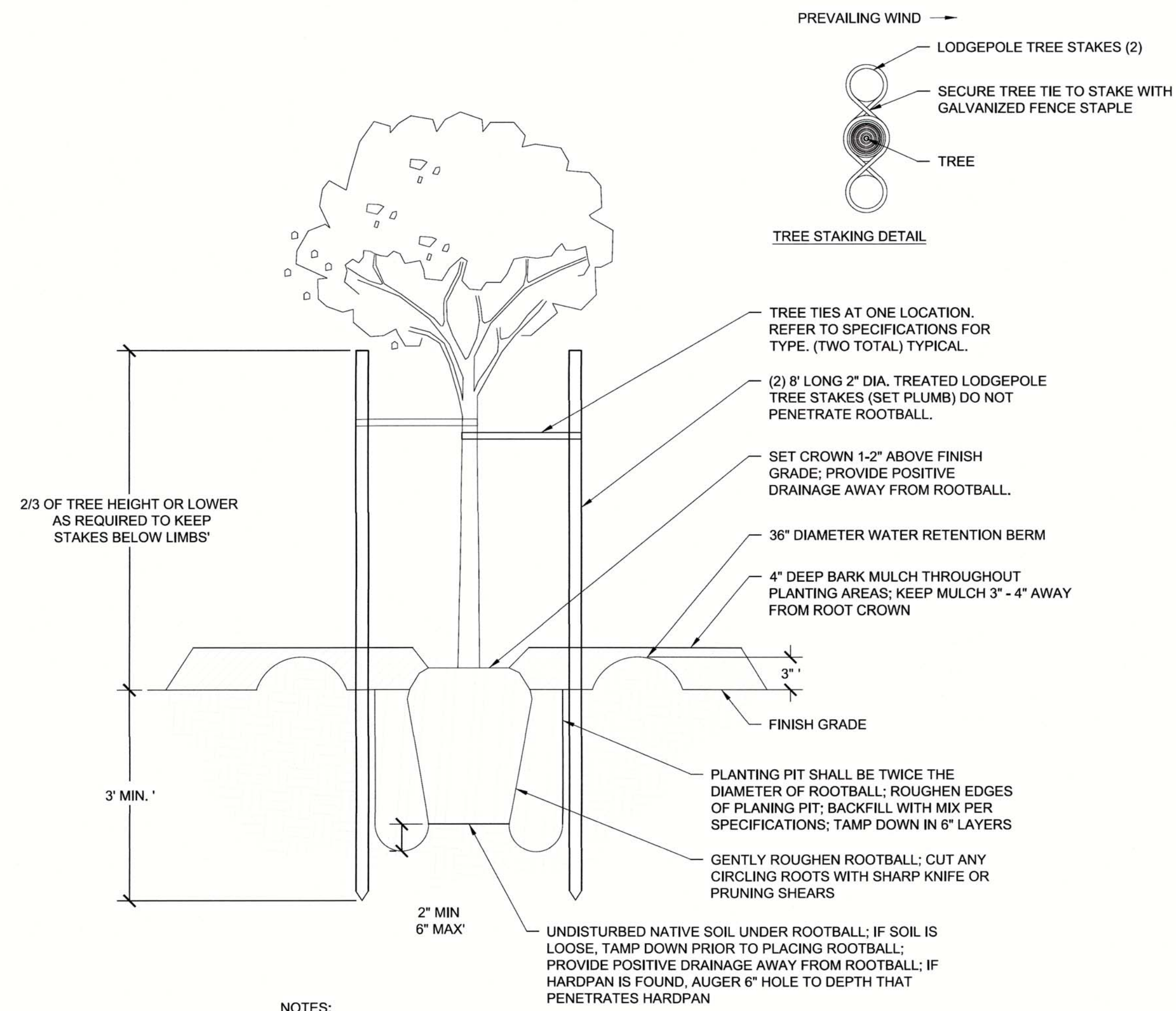
CITY OF SACRAMENTO DEPARTMENT OF PUBLIC WORKS		
DRAWN BY: <u>A. ANGIER</u>	DESIGNED BY: <u>K. LANTZ</u>	CHECKED BY: <u>K. LANTZ</u>
DATE <u>MAR 2014</u>	P.L.A. <u>5400</u> DATE <u>MAR 2014</u>	P.L.A. <u>5400</u> DATE <u>MAR 2014</u>

ICF INTERNATIONAL
630 K Street, Suite 400, Sacramento, CA 95814

IMPROVEMENT PLANS FOR
ROSEVILLE ROAD - ARCADE CREEK BRIDGE REPLACEMENT
IRRIGATION DETAILS CONTINUED

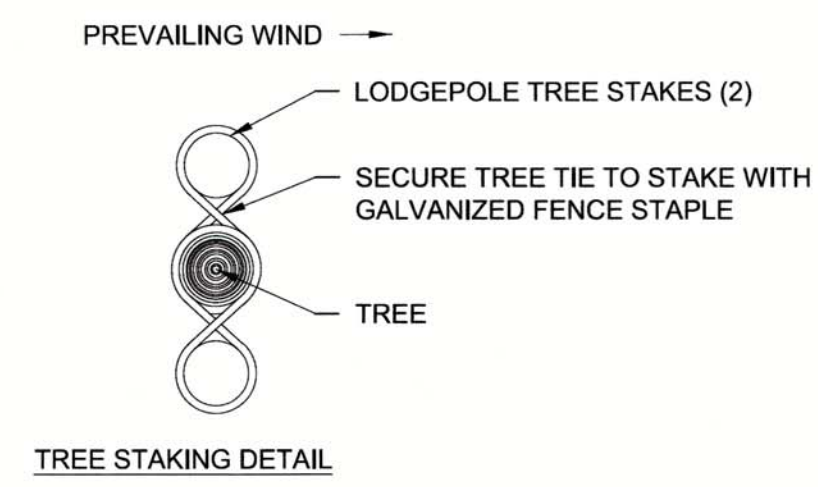
RELATIVE BORDER SCALE IS IN INCHES

3/12/2014 2:22:06 PM 19446 FILE: G:\CAD\Projects\DavidEvansAssoc\00489-08_RosevilleBridge\Plans\0-4.dgn

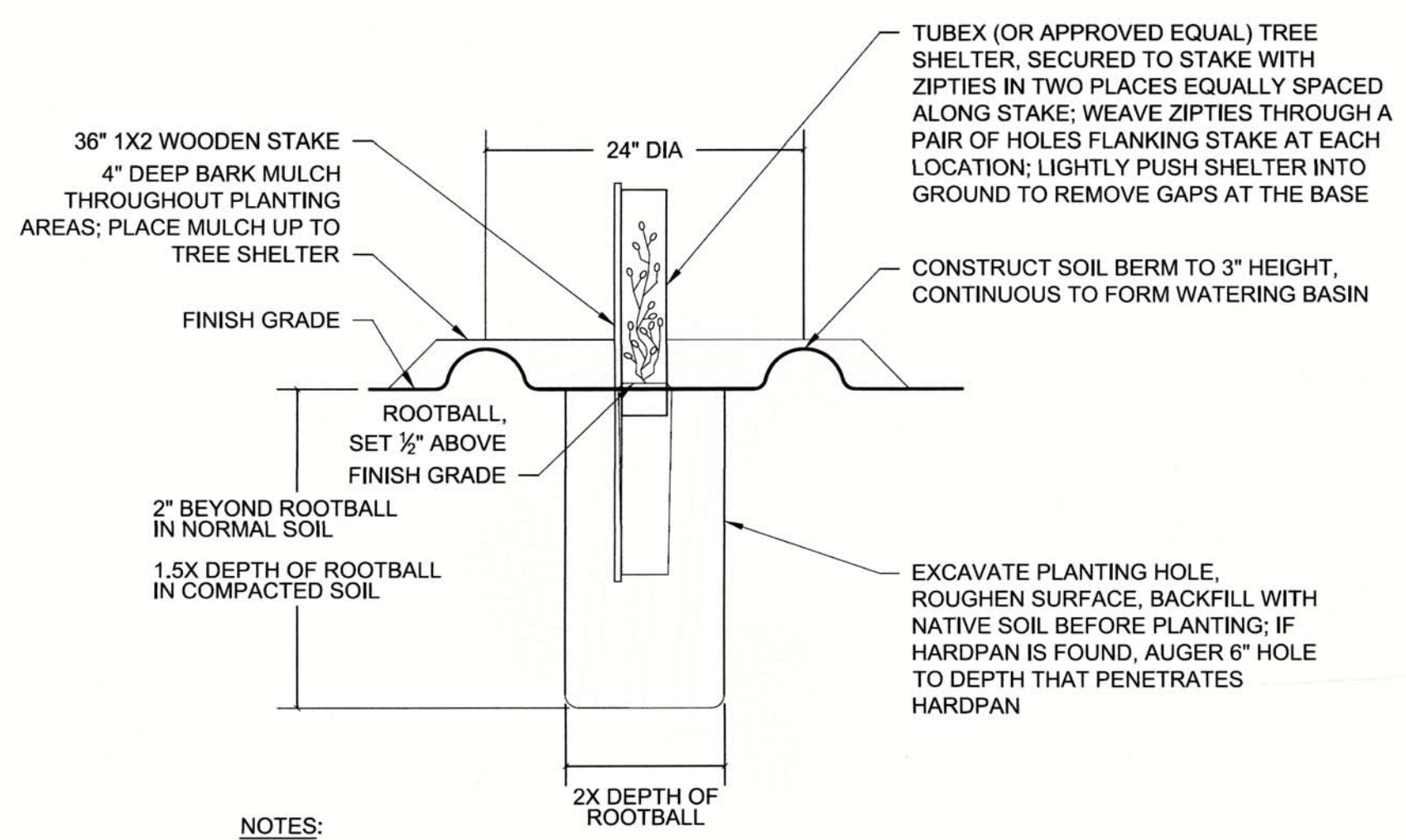


- NOTES:
1. PROVIDE WEED FREE ZONE AROUND PLANTING SITE ACCORDING TO THE SPECIFICATIONS.
 2. REFER TO SPECIFICATIONS AND PLAN SHEETS FOR ADDITIONAL INFORMATION.
 3. LEAVE THE SMALL BRANCHES ON THE TREE. REMOVE THEM IF THE BRANCH LOCATION IS NOT SUITABLE FOR PERMANENT STAKES, 1" OR GREATER IN DIAMETER. DO NOT TOP THE TREE.
 4. REMOVE ALL NURSERY STAKES
 5. WATER THOROUGHLY

1 15-GALLON TREE
D-4 NOT TO SCALE

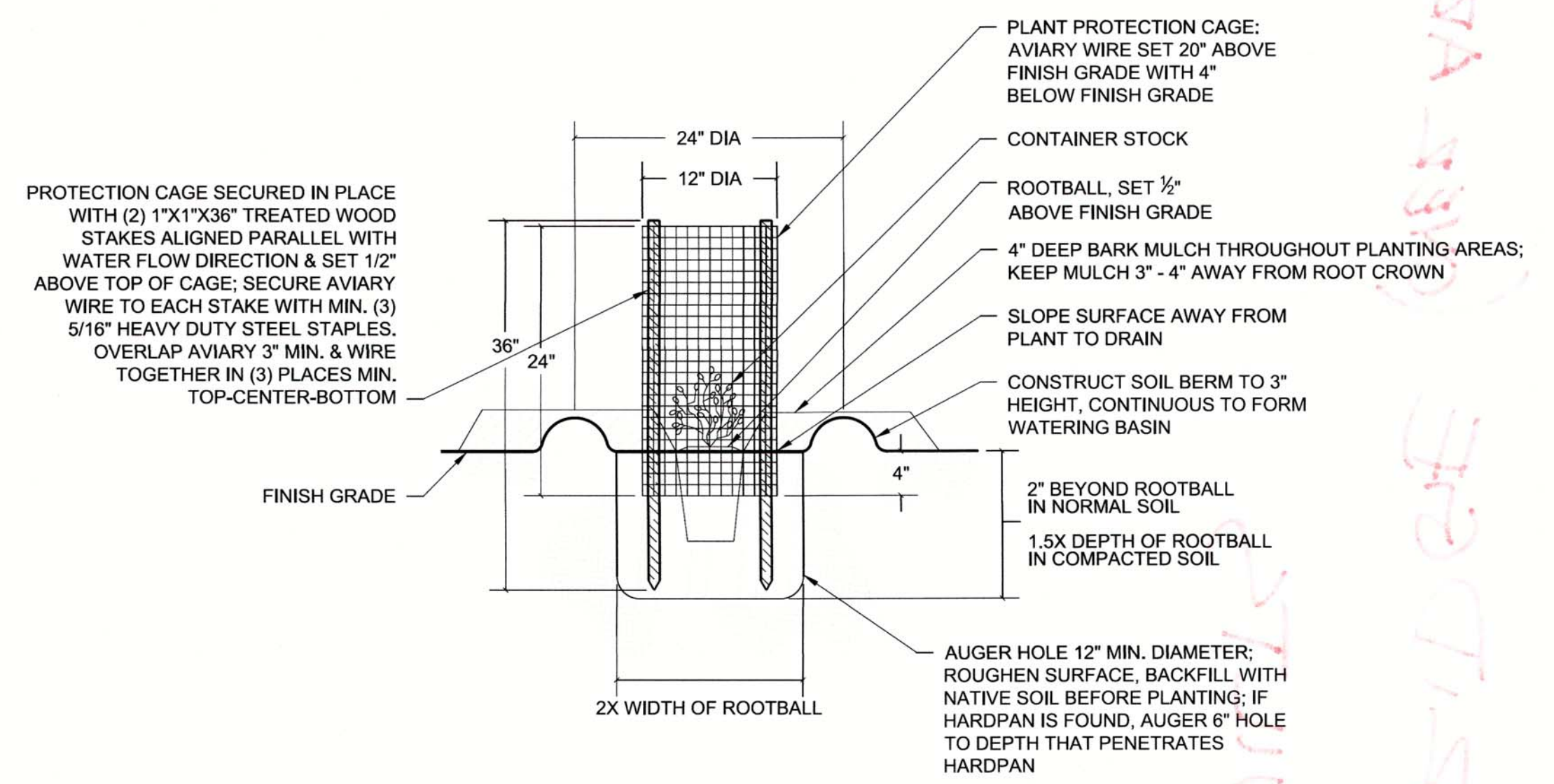


TREE STAKING DETAIL



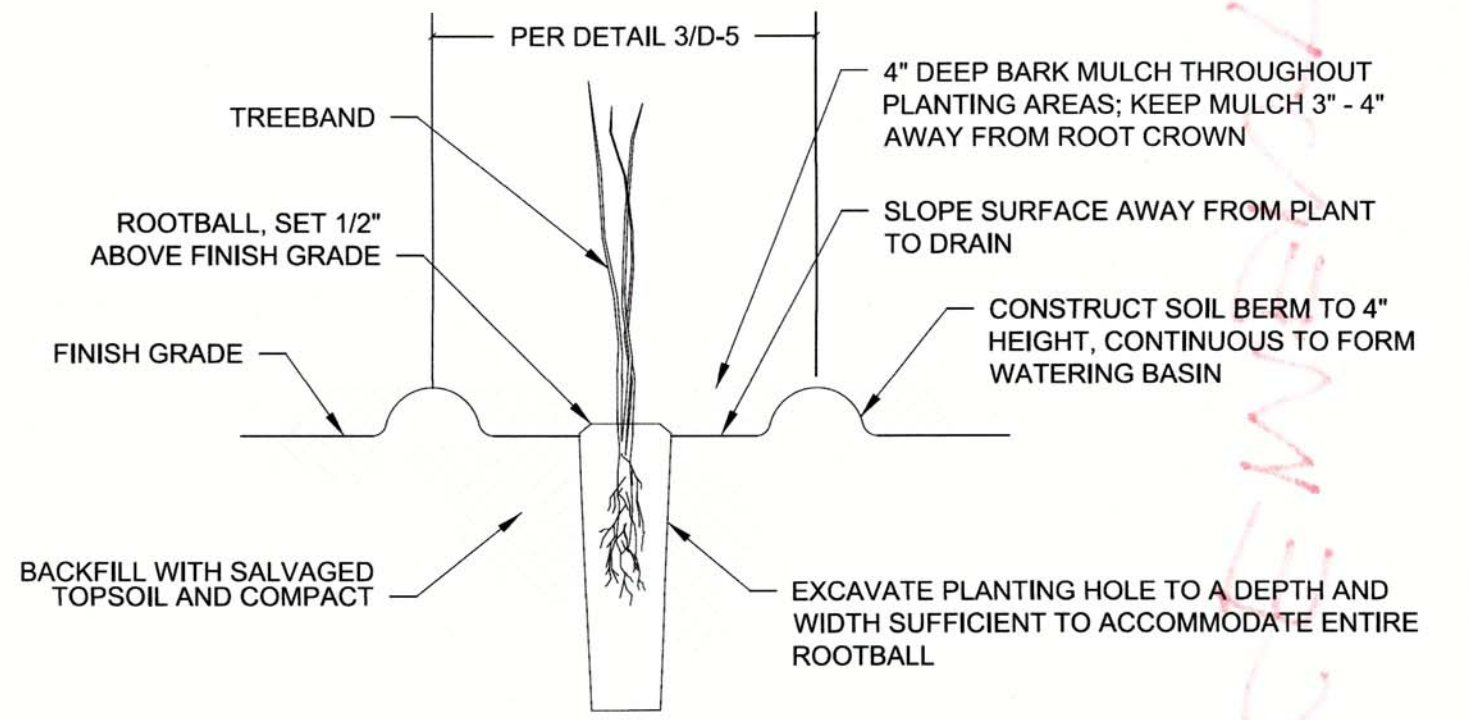
- NOTES:
1. PROVIDE WEED FREE ZONE AROUND PLANTING SITE ACCORDING TO THE SPECIFICATIONS.
 2. FOR PLANTING ON SLOPES, SET PROTECTION SHELTER AND STAKE VERTICAL.
 3. REFER TO SPECIFICATIONS FOR ADDITIONAL INFORMATION.

2 TREE SEEDLING WITH TUBEX TREE SHELTER
D-4 NOT TO SCALE



- NOTES:
1. PROVIDE WEED FREE ZONE, AROUND PLANTING SITE ACCORDING TO THE SPECIFICATIONS.
 2. AVIARY WIRE SHALL BE 1/2" WIRE MESH x 24" HT.
 3. SET STAKES PARALLEL ON OPPOSITE SIDES OF THE CAGE.
 4. FOR PLANTINGS ON SLOPES, SET CAGE AND STAKES VERTICAL. FIELD ADJUST HEIGHT TO ACCOMMODATE SLOPES AS PER THE RESTORATION SPECIALIST'S DIRECTION.
 5. REFER TO THE PROJECT PLANS AND SPECIFICATIONS FOR ADDITIONAL INFORMATION.

3 CONTAINER PLANTING WITH PLANT CAGE
D-4 NOT TO SCALE



- NOTES:
1. PROVIDE WEED FREE ZONE AROUND PLANTING SITE ACCORDING TO THE SPECIFICATIONS.
 2. REFER TO DETAIL 3 SHEET D-5 FOR CLUSTER PLATING AND BASIN LAYOUT.
 3. REFER TO SPECIFICATIONS AND PLAN SHEETS FOR ADDITIONAL INFORMATION.

4 TREEBAND PLANTING
D-4 NOT TO SCALE

AS BUILT

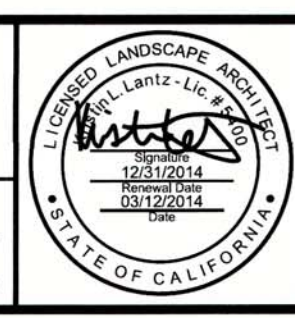
CORRECTIONS BY Greg Zaiss
CONTRACT NO. _____
DATE 6/1/16

No CHANGE ON THIS SHEET

NO.	DESCRIPTION	DATE	BY

BENCH MARK	ELEV.	54.58
DESCRIPTION: All elevations are based on a differential level loop. Elevations were all relative to NGS Bench Mark (PID=JS0989) NAVD 88 Elevation: 54.58 (NGVD29 Elevation: 52.04 feet)		

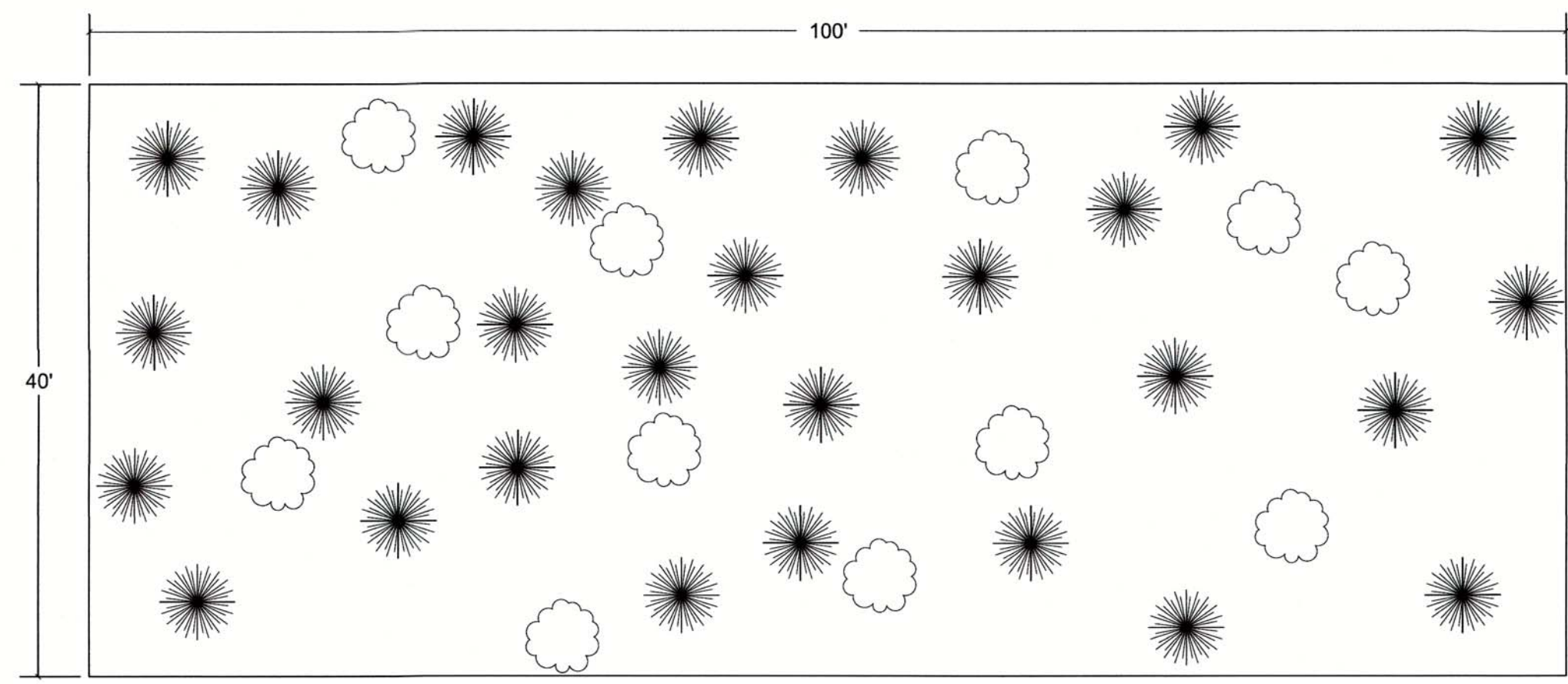
FIELD BOOK	N/A
SCALE	
HORIZ.	
VERT.	
CITY OF SACRAMENTO DEPARTMENT OF PUBLIC WORKS	
DRAWN BY: <u>A. ANGIER</u>	DESIGNED BY: <u>K. LANTZ</u>
DATE <u>MAR 2014</u>	P.L.A. <u>5400</u> DATE <u>MAR 2014</u>
CHECKED BY: <u>K. LANTZ</u>	P.L.A. <u>5400</u> DATE <u>MAR 2014</u>



IMPROVEMENT PLANS FOR
ROSEVILLE ROAD - ARCADE CREEK BRIDGE REPLACEMENT
PLANTING DETAILS

SHEET
D-4
60/61
PN: T15068500

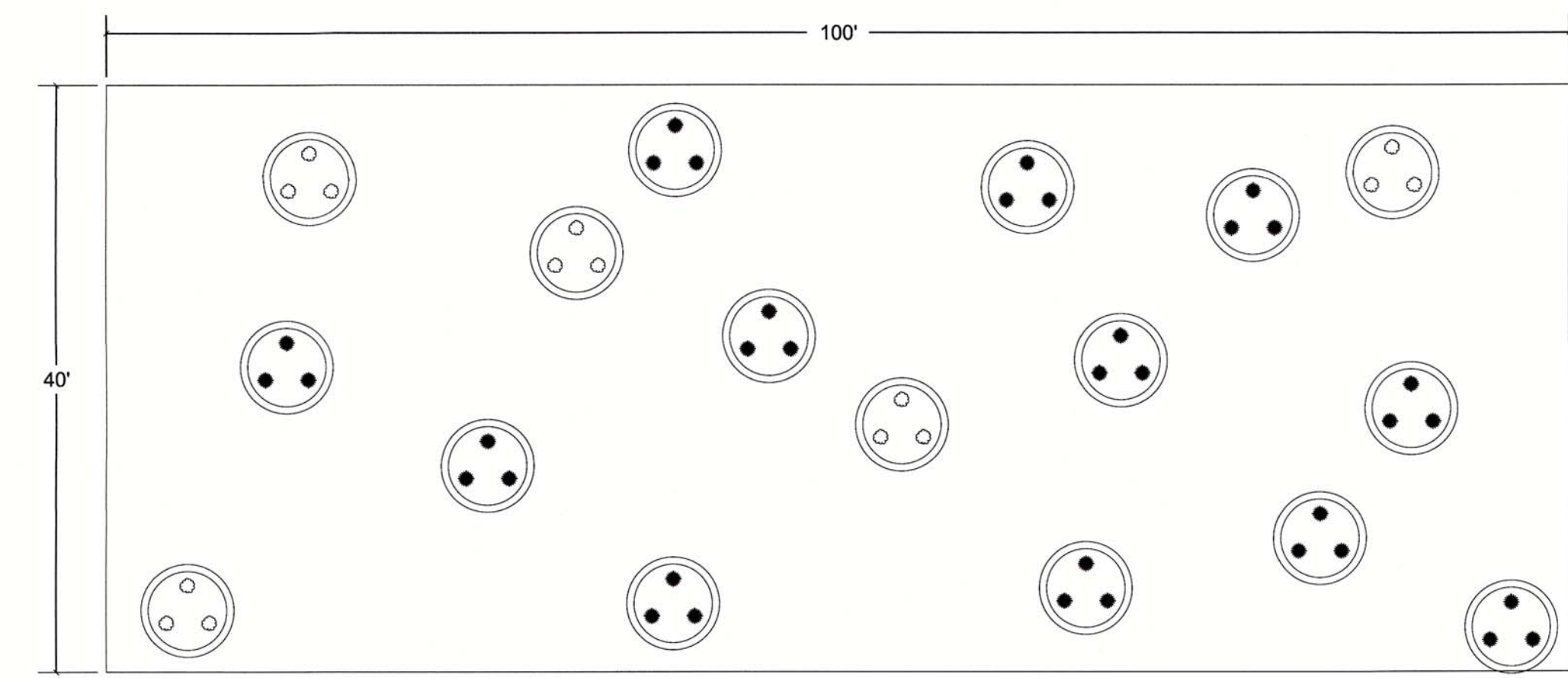
RELATIVE BORDER SCALE IS IN INCHES



- SPECIES X, 10 FEET AVERAGE ON-CENTER SPACING, 30% OF PALETTE
- SPECIES Y, 10 FEET AVERAGE ON-CENTER SPACING, 70% OF PALETTE

- NOTES:
1. PLANT LAYOUT SHALL BE RANDOM AND SHALL NOT BE IN LINEAR ROWS.
 2. ALL PLANT LOCATIONS SHALL BE FLAGGED AND APPROVED BY THE ENGINEER PRIOR TO PLANTING.

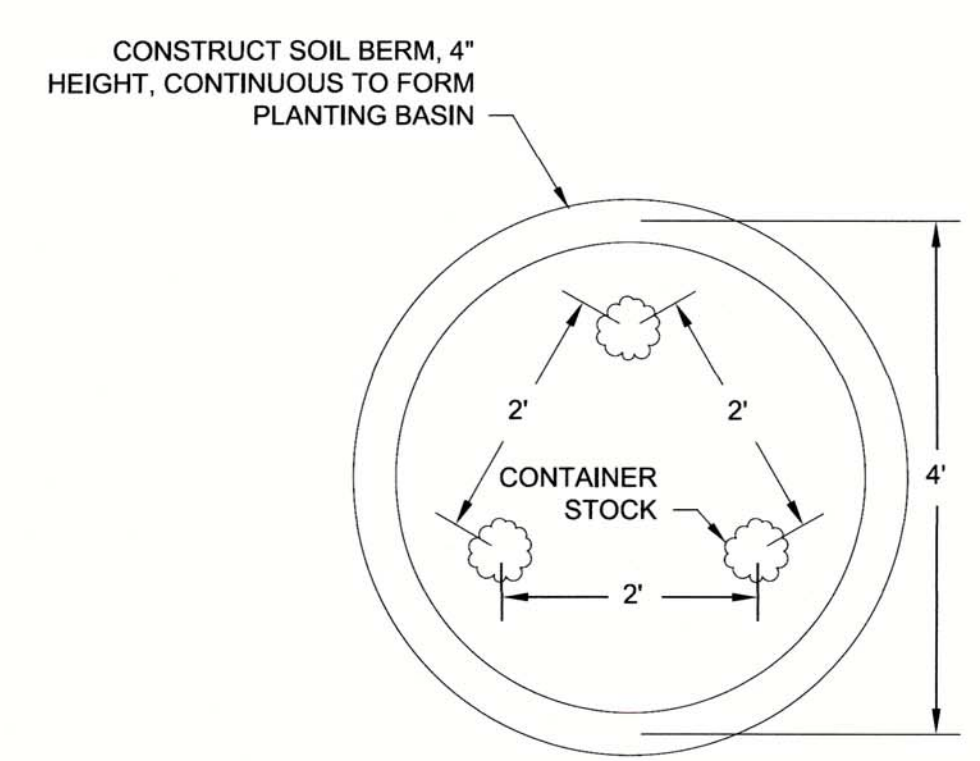
1 GENERIC RANDOM PLANT LAYOUT FOR INDIVIDUAL PLANTS
D-5 NOT TO SCALE



- SPECIES X, CLUSTER OF 3 AT 2 FEET AVERAGE ON-CENTER SPACING, 15 FEET AVERAGE ON-CENTER SPACING BETWEEN CLUSTERS, 30% OF PALETTE
- SPECIES Y, CLUSTER OF 3 AT 2 FEET AVERAGE ON-CENTER SPACING, 15 FEET AVERAGE ON-CENTER SPACING BETWEEN CLUSTERS, 70% OF PALETTE

- NOTES:
1. PLANT LAYOUT SHALL BE RANDOM AND SHALL NOT BE IN LINEAR ROWS.
 2. ALL PLANT LOCATIONS SHALL BE FLAGGED AND APPROVED BY THE ENGINEER PRIOR TO PLANTING.

2 GENERIC RANDOM PLANT LAYOUT FOR CLUSTERS
D-5 NOT TO SCALE



- NOTES:
1. CLUSTER PLANTINGS WITH 5 FOOT ON-CENTER SPACING SHALL HAVE INDIVIDUAL BASINS AROUND EACH PLANT.
 2. DO NOT INSTALL BASINS IN FLOODPLAIN BENCH OR IN DRAINAGE DITCH PLANTING ZONES.
 3. APPLY BARK MULCH TOP-DRESSING TO ALL BASINS, 4" DEPTH, KEEP 3" FROM ROOTCROWNS.
 4. PLANT QUANTITIES AND SPACING VARIES BY SPECIES. REFER TO SHEET P-1 FOR ADDITIONAL INFORMATION.
 5. PROVIDE WEED FREE ZONE AROUND PLANTING SITE ACCORDING TO THE SPECIFICATIONS.

3 CONTAINER PLANTING IN CLUSTERS WITH 2 FOOT ON-CENTER SPACING
D-5 NOT TO SCALE

AS BUILT

CORRECTIONS BY longfairs

CONTRACT NO. _____

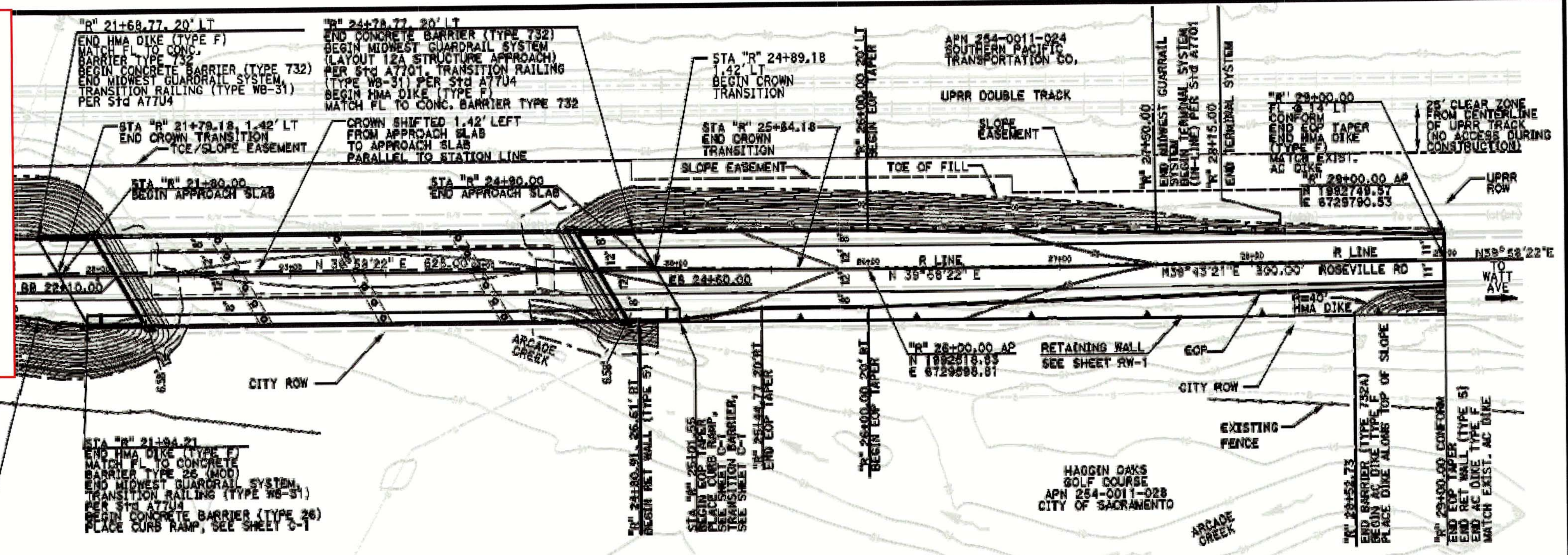
DATE 6/1/16

No CHANGE ON THIS SHEET

3/12/2014 2:33:46 PM 19446 FILE: G:\CAD\Projects\DavidEvansAssoc\00489-08_RosevilleBridge\Plans\D-5.dgn

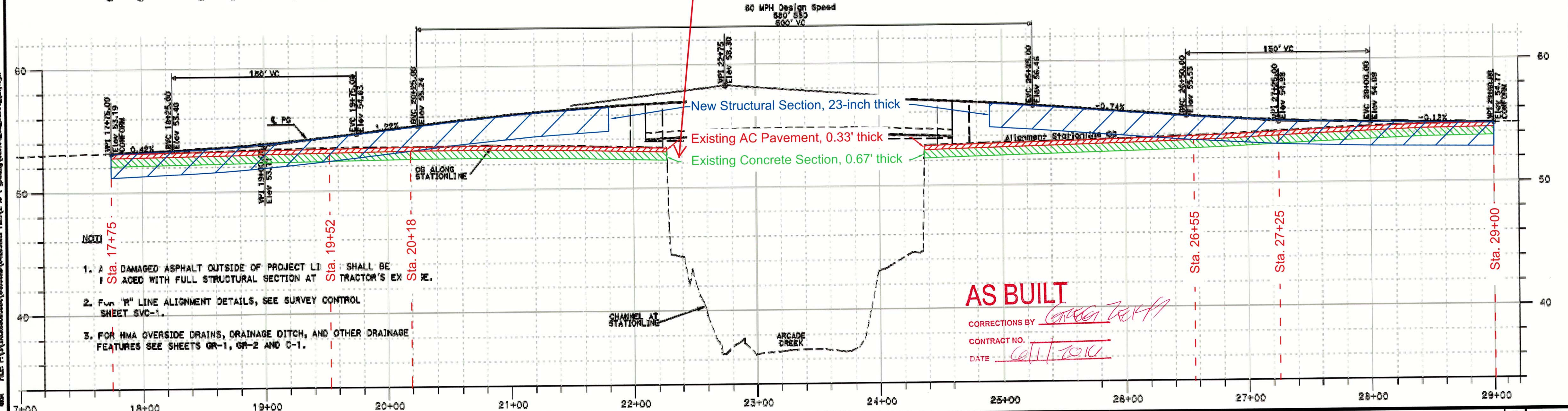
<table border="1" style="width: 100%; border-collapse: collapse;"> <thead> <tr> <th style="text-align: left;">NO.</th> <th style="text-align: left;">DESCRIPTION</th> <th style="text-align: left;">DATE</th> <th style="text-align: left;">BY</th> </tr> </thead> <tbody> <tr><td> </td><td> </td><td> </td><td> </td></tr> <tr><td> </td><td> </td><td> </td><td> </td></tr> <tr><td> </td><td> </td><td> </td><td> </td></tr> </tbody> </table>	NO.	DESCRIPTION	DATE	BY													<table border="1" style="width: 100%; border-collapse: collapse;"> <tr> <td>BENCH MARK</td> <td>ELEV. <u>54.58</u></td> </tr> <tr> <td colspan="2">DESCRIPTION: All elevations are based on a differential level loop. Elevations were all relative to NGS Bench Mark (PID=JS0989) NAVD 88 Elevation: 54.58 (NGVD29 Elevation: 52.04 feet)</td> </tr> </table>	BENCH MARK	ELEV. <u>54.58</u>	DESCRIPTION: All elevations are based on a differential level loop. Elevations were all relative to NGS Bench Mark (PID=JS0989) NAVD 88 Elevation: 54.58 (NGVD29 Elevation: 52.04 feet)		<table border="1" style="width: 100%; border-collapse: collapse;"> <tr> <td>FIELD BOOK</td> <td>N/A</td> </tr> <tr> <td>SCALE</td> <td> </td> </tr> <tr> <td>HORIZ.</td> <td> </td> </tr> <tr> <td>VERT.</td> <td> </td> </tr> </table>	FIELD BOOK	N/A	SCALE		HORIZ.		VERT.		<p>CITY OF SACRAMENTO DEPARTMENT OF PUBLIC WORKS</p> <table border="1" style="width: 100%; border-collapse: collapse;"> <tr> <td>DRAWN BY: <u>A. ANGIER</u></td> <td>DESIGNED BY: <u>K. LANTZ</u></td> <td>CHECKED BY: <u>K. LANTZ</u></td> </tr> <tr> <td>DATE <u>MAR 2014</u></td> <td>P.L.A. <u>5400</u> DATE <u>MAR 2014</u></td> <td>P.L.A. <u>5400</u> DATE <u>MAR 2014</u></td> </tr> </table>	DRAWN BY: <u>A. ANGIER</u>	DESIGNED BY: <u>K. LANTZ</u>	CHECKED BY: <u>K. LANTZ</u>	DATE <u>MAR 2014</u>	P.L.A. <u>5400</u> DATE <u>MAR 2014</u>	P.L.A. <u>5400</u> DATE <u>MAR 2014</u>		<p>630 K Street, Suite 400, Sacramento, CA 95814</p>	<p>IMPROVEMENT PLANS FOR ROSEVILLE ROAD - ARCADE CREEK BRIDGE REPLACEMENT PLANTING DETAILS CONTINUED</p>	<p>SHEET D-5 61/61</p>
NO.	DESCRIPTION	DATE	BY																																						
BENCH MARK	ELEV. <u>54.58</u>																																								
DESCRIPTION: All elevations are based on a differential level loop. Elevations were all relative to NGS Bench Mark (PID=JS0989) NAVD 88 Elevation: 54.58 (NGVD29 Elevation: 52.04 feet)																																									
FIELD BOOK	N/A																																								
SCALE																																									
HORIZ.																																									
VERT.																																									
DRAWN BY: <u>A. ANGIER</u>	DESIGNED BY: <u>K. LANTZ</u>	CHECKED BY: <u>K. LANTZ</u>																																							
DATE <u>MAR 2014</u>	P.L.A. <u>5400</u> DATE <u>MAR 2014</u>	P.L.A. <u>5400</u> DATE <u>MAR 2014</u>																																							

CCO #1
 PCO#3
 Field Instruction #3
 Attachment C
 Remove Existing Concrete Section
 July 16, 2015



Remove Existing Concrete Section

STATION	LT EDGE OF PAVEMENT (FLOWLINE)	STATION LINE	RT EDGE OF PAVEMENT (FLOWLINE)
17+00	52.91	53.19	52.95
18+00	53.01	53.29	53.02
19+00	53.10	53.40	53.11
20+00	53.21	53.52	53.22
21+00	53.35	53.67	53.36
22+00	53.53	53.88	53.54
23+00	53.74	54.08	53.75
24+00	53.96	54.34	54.00
25+00	54.26	54.63	54.27
26+00	54.56	54.93	54.56
27+00	54.85	55.24	54.85
28+00	55.13	55.53	55.13
29+00	55.40	55.80	55.40



- NOT:
1. A DAMAGED ASPHALT OUTSIDE OF PROJECT LIMITS SHALL BE REPAVED WITH FULL STRUCTURAL SECTION AT TRACTOR'S EXPENSE.
 2. FOR "R" LINE ALIGNMENT DETAILS, SEE SURVEY CONTROL SHEET SVC-1.
 3. FOR HMA OVERSIDE DRAINS, DRAINAGE DITCH, AND OTHER DRAINAGE FEATURES SEE SHEETS GR-1, GR-2 AND C-1.

AS BUILT
 CORRECTIONS BY *[Signature]*
 CONTRACT NO. *[Signature]*
 DATE *06/11/2014*

REVISIONS			BENCH MARK	
NO.	DESCRIPTION	DATE	BY	ELEV.
				54.58

DESCRIPTION: All elevations are based on a differential level loop. Elevations were all relative to NGS Bench Mark (PID=130988) NAVD 88 Elevation: 54.58 (NGVD29 Elevation: 52.04 feet)

CITY OF SACRAMENTO
 DEPARTMENT OF PUBLIC WORKS

DRAWN BY: L. ANDERSEN
 DESIGNED BY: J. SRELLANO/BRANDA
 CHECKED BY: D. BLOODWORTH

DATE: JAN 2014
 R.C.E. 078083 DATE: JAN 2014
 R.C.E. 080984 DATE: JAN 2014

DAVID EVANS AND ASSOCIATES, INC.
 2100 Bonita Road, Suite 200
 Roseville, California 95678

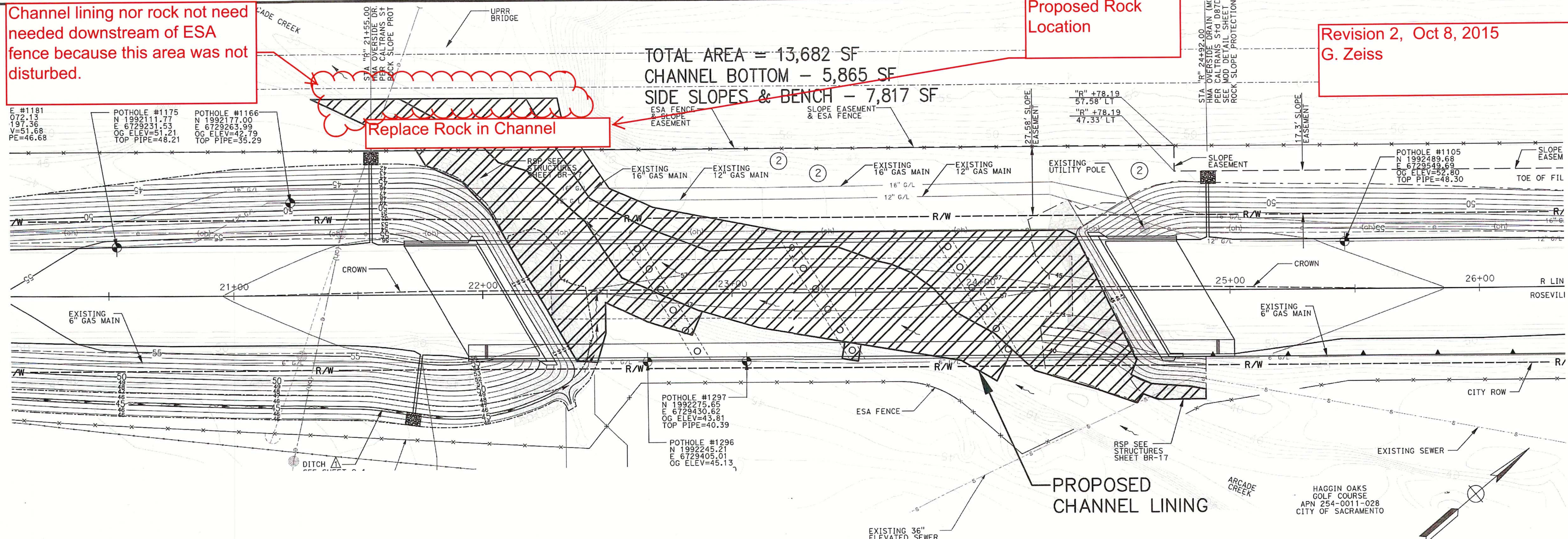
IMPROVEMENT PLANS FOR
 ROSEVILLE ROAD - ARCADE CREEK BRIDGE REPLACEMENT
 PLAN AND PROFILE

PN: T15003000 SHEET L-1
 8/61

Channel lining nor rock not need needed downstream of ESA fence because this area was not disturbed.

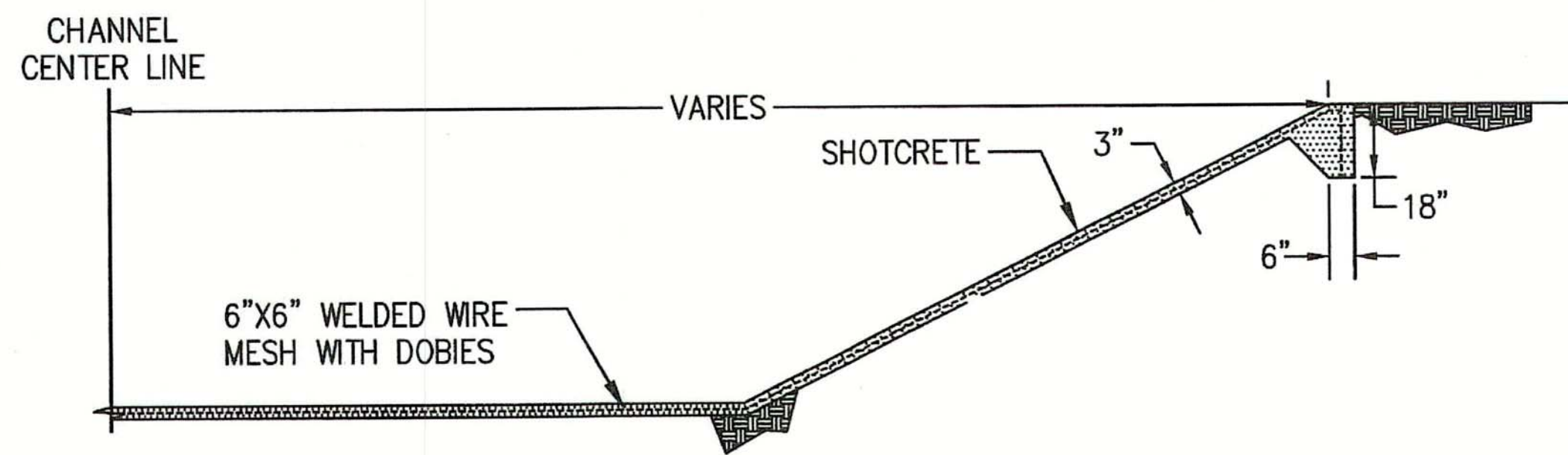
Proposed Rock Location

Revision 2, Oct 8, 2015
G. Zeiss

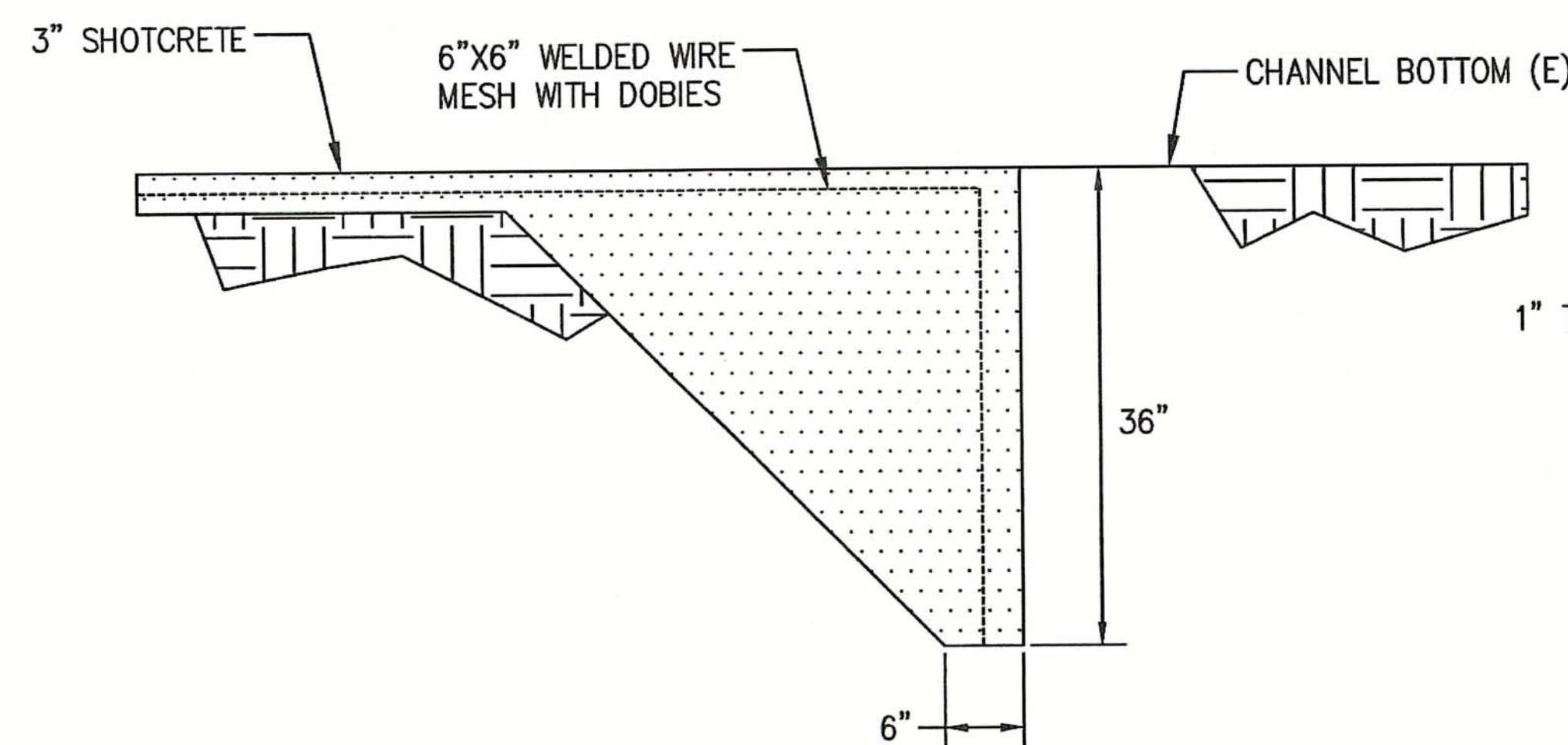


NOTES:

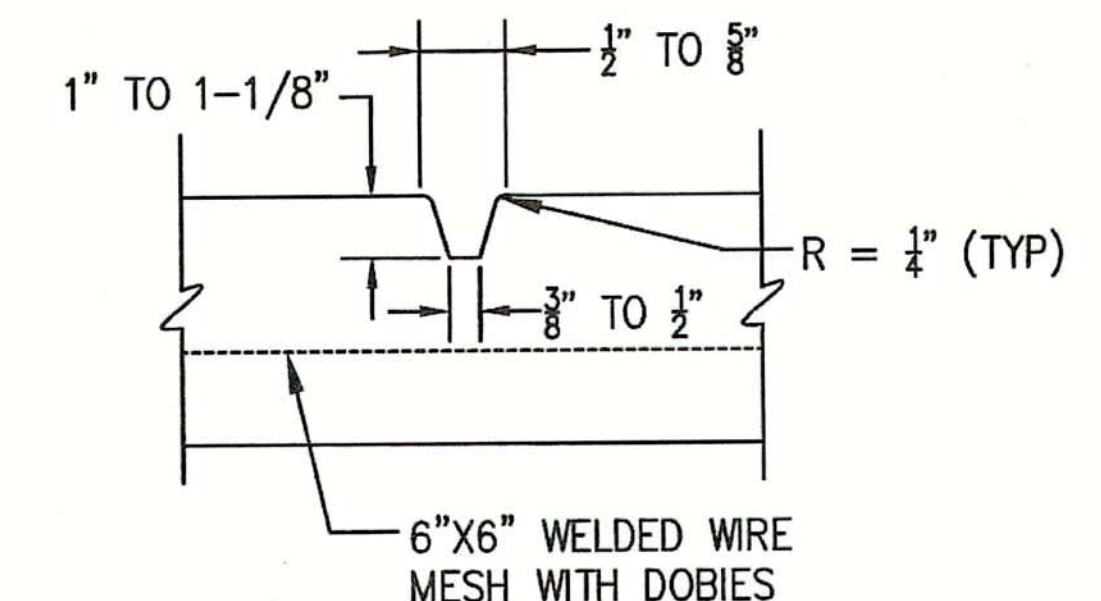
1. SUBGRADE SHALL MEET MINIMUM 90% COMPACTION
2. SHOTCRETE SHALL CONFORM TO CALTRANS STANDARD SPECIFICATION SECTION 53-1 PER THE "WET-MIX" PROCESS
3. CONSTRUCTION JOINTS @ 15' BY 15' MAX
4. THE MANNER IN WHICH THE SHOTCRETE IS TO BE FINISHED WILL BE DETERMINED BY THE ENGINEER AT THE TIME OF PLACEMENT. THE INTENT IS TO MIMIC THE ROUGH FINISH OF THE EXISTING CHANNEL LINING.



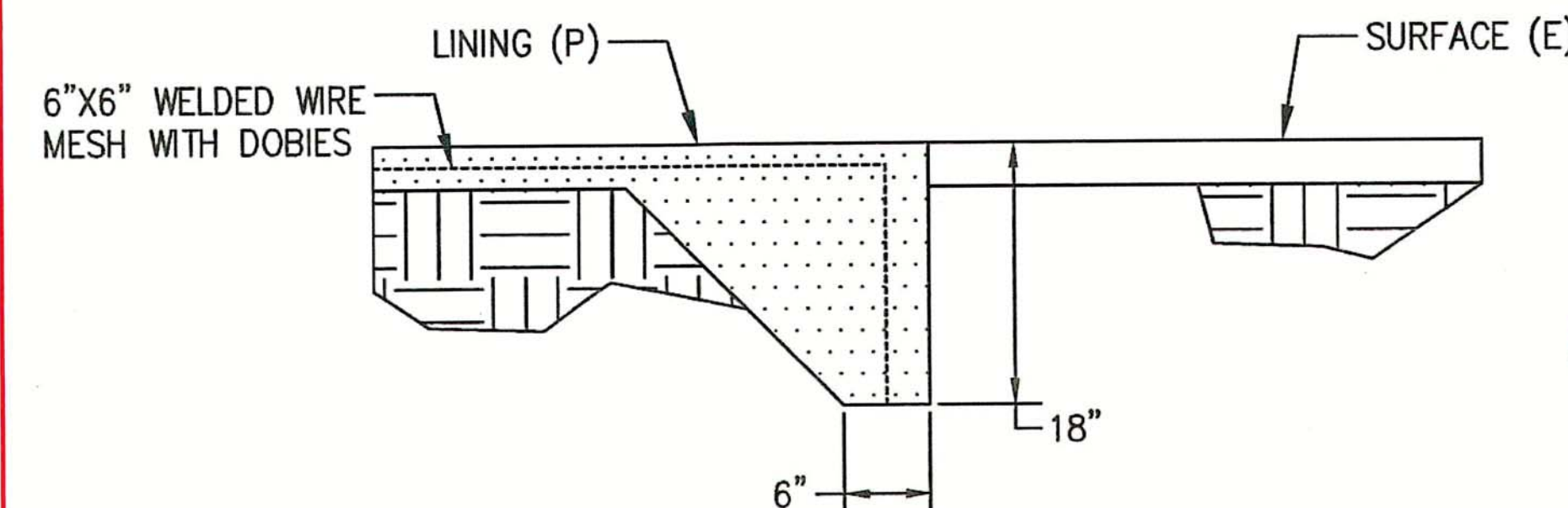
CREEK LINING PROFILE DETAIL
NO SCALE



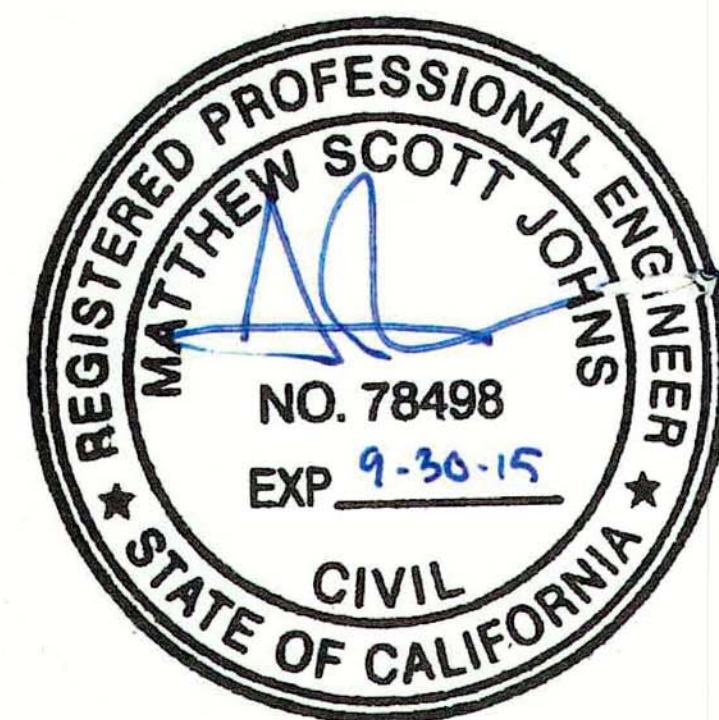
CHANNEL BOTTOM CUTOFF WALL
NO SCALE



CONTRACTION JOINT DETAIL
NO SCALE



MATCH LINING TO EXISTING
NO SCALE



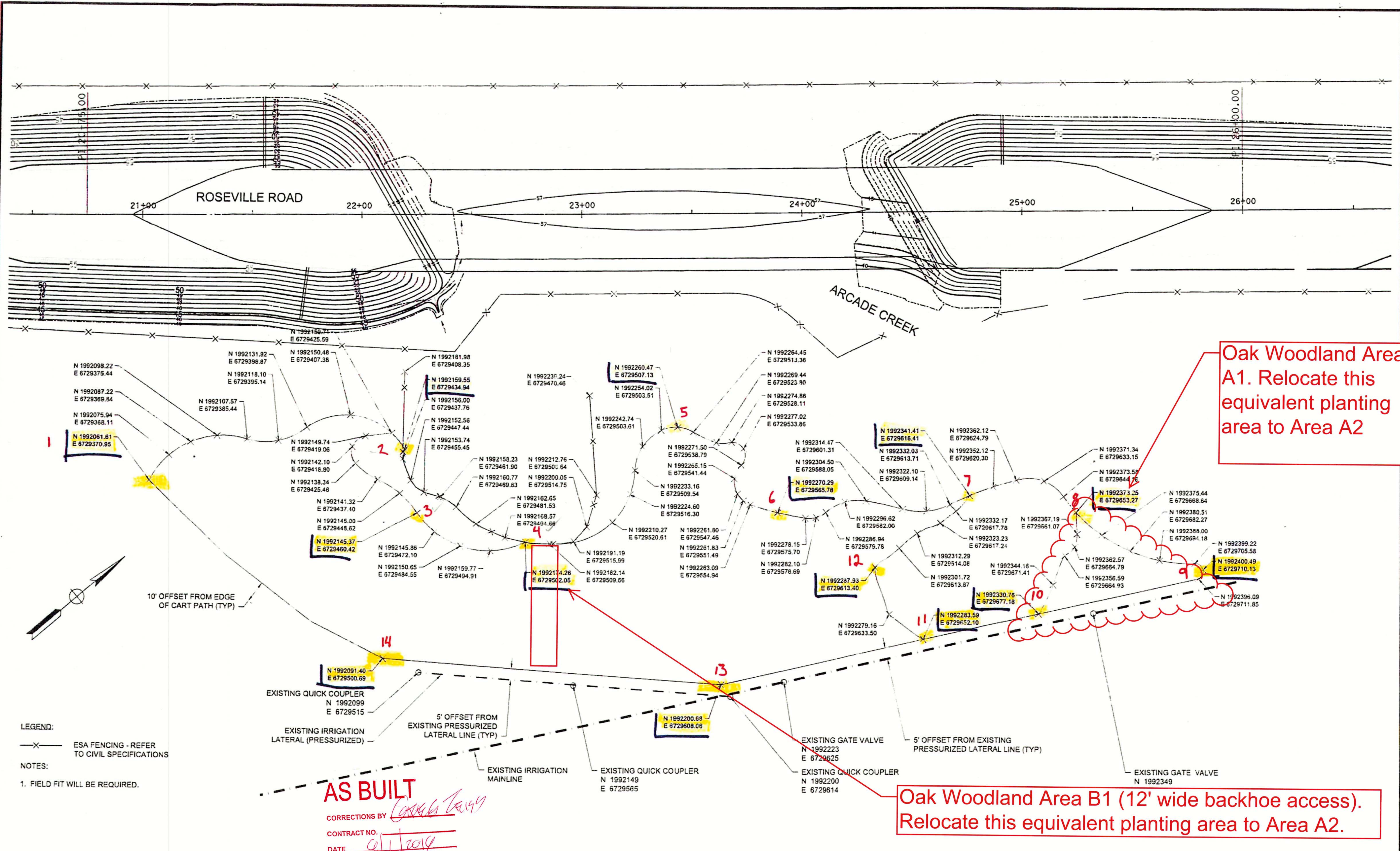
CCO#4, Field Instruction #14
Creek Lining Removal and Restoration
Attachment A (include all details on this sheet)
Jan 14, 2015
G. Zeiss

AS BUILT

CORRECTIONS BY *[Signature]*
CONTRACT NO. *[Signature]*
DATE *[Signature]*

RELATIVE BORDER SCALE
15 1/4 INCHES

8/21/2015 4:48:18 PM 19446 FILE: G:\CAD\Projects\David\Evans\Asac\00489-08_Roseville\Bridges\Plan\1-L.dgn



Oak Woodland Area A1. Relocate this equivalent planting area to Area A2

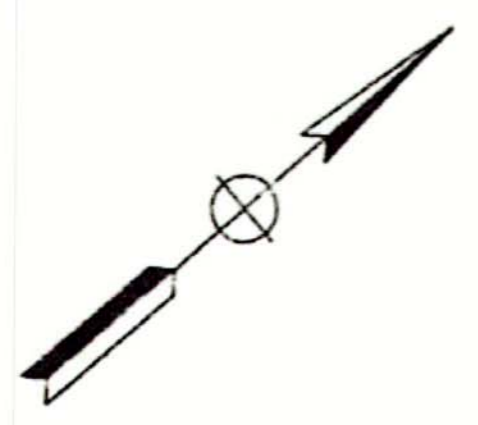
Oak Woodland Area B1 (12' wide backhoe access). Relocate this equivalent planting area to Area A2.

AS BUILT
CORRECTIONS BY *[Signature]*
CONTRACT NO. *[Signature]*
DATE *[Signature]*

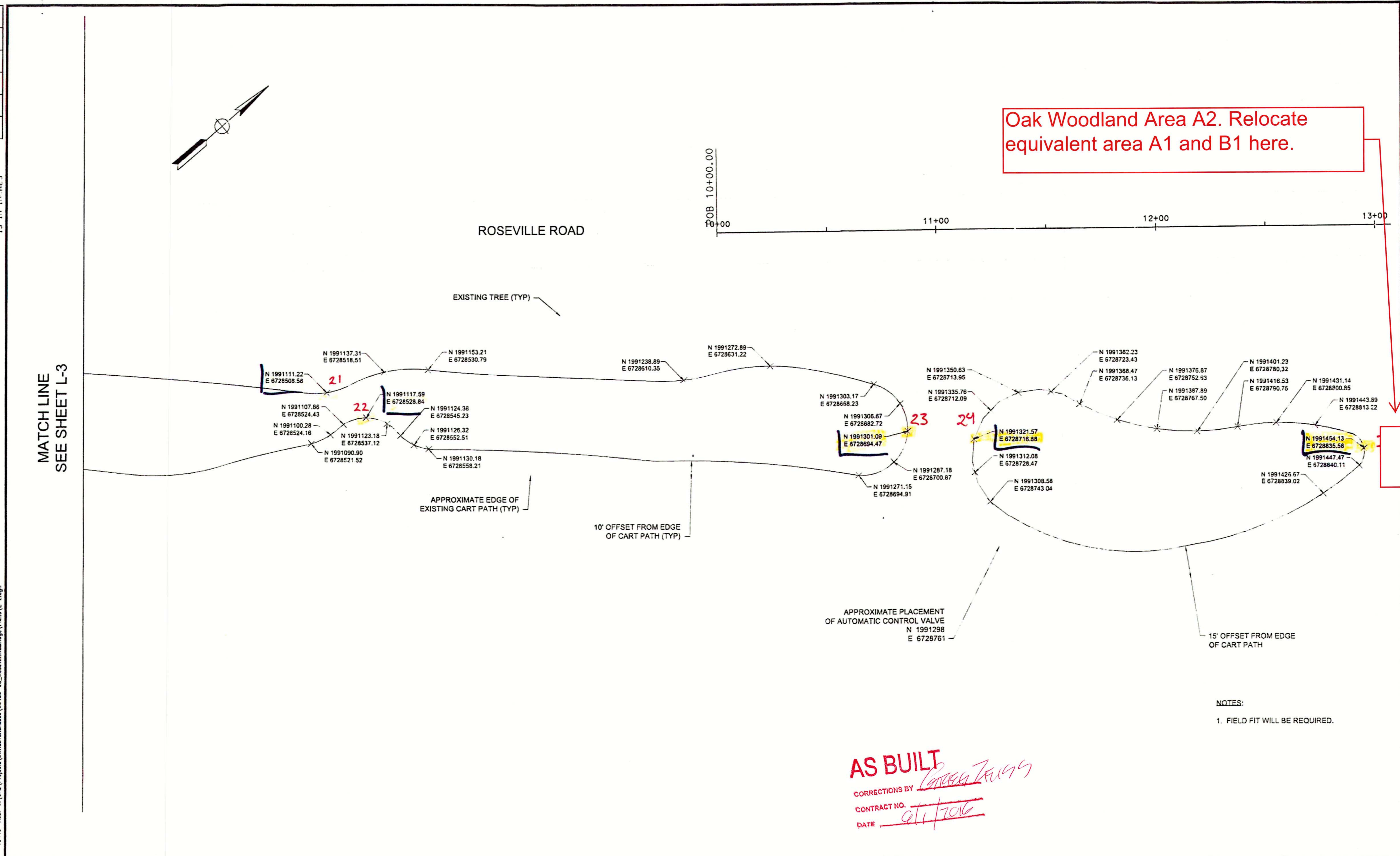
LEGEND:
— X — ESA FENCING - REFER TO CIVIL SPECIFICATIONS
NOTES:
1. FIELD FIT WILL BE REQUIRED.

REVISIONS				BENCH MARK		FIELD BOOK		CITY OF SACRAMENTO DEPARTMENT OF PUBLIC WORKS			ICF INTERNATIONAL 630 K Street, Suite 400, Sacramento, CA 95814	IMPROVEMENT PLANS FOR ROSEVILLE ROAD - ARCADE CREEK BRIDGE REPLACEMENT LAYOUT PLAN - CDFW MITIGATION SITE		PN: T15068500 SHEET L-1 61
NO.	DESCRIPTION	DATE	BY	ELEV.	DESCRIPTION	N/A	SCALE	DATE	DATE	DATE		DATE	DATE	
				54.56				DP4W11 BY: K. LANTZ	DESIGNED BY: K. LANTZ	CHECKED BY: K. LANTZ				
								DATE: AUG 2015	P.L.A.: 5400 DATE: AUG 2015	P.L.A.: 5400 DATE: AUG 2015				

RELATIVE BORDER SCALE
IS IN INCHES



Oak Woodland Area A2. Relocate equivalent area A1 and B1 here.



NOTES:
1. FIELD FIT WILL BE REQUIRED.

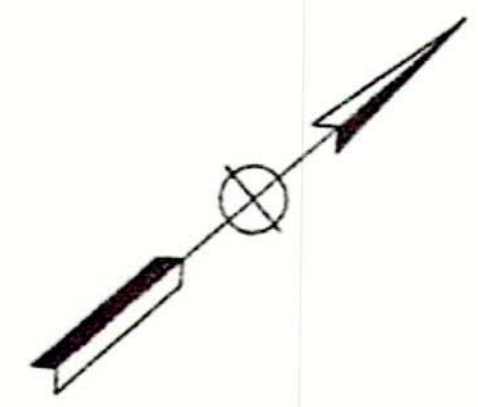
AS BUILT
CORRECTIONS BY *[Signature]*
CONTRACT NO. *911/7016*
DATE *9/1/2016*

8/21/2015 4:50:53 PM 19446 FILE: G:\CAD\Projects\Drawings\unassac\00489-08_RosevilleRdBridge\Plans\L-2.dgn

REVISIONS				BENCH MARK		FIELD BOOK		CITY OF SACRAMENTO			ICF INTERNATIONAL	IMPROVEMENT PLANS FOR		SHEET
NO.	DESCRIPTION	DATE	BY	ELEV.	N/A	SCALE	DEPARTMENT OF PUBLIC WORKS			ROSEVILLE ROAD - ARCADE CREEK BRIDGE REPLACEMENT		L-2		
				54.58		1"=20'	DRAWN BY: K. LANTZ	DESIGNED BY: K. LANTZ	CHECKED BY: K. LANTZ	530 K Street, Suite 400, Sacramento, CA 95814			LAYOUT PLAN - CDFW AND CITY MITIGATION SITES	
							DATE: AUG 2015	P.L.A.: 6400 DATE: AUG 2015	P.L.A.: 6400 DATE: AUG 2015					

PN: T15068500

RELATIVE BORDER SCALE IS IN FEET



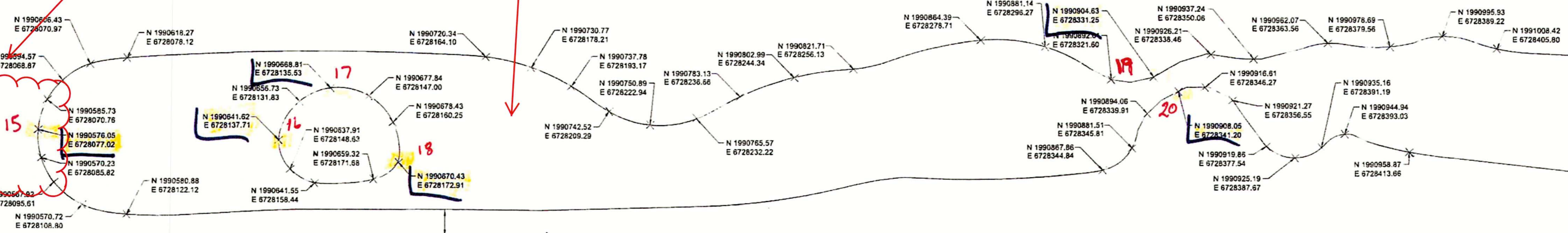
Area C2

Area C1 Oak Woodland. If plants need to be relocated in this area in order to have access to existing irrigation facilities, then relocate to equivalent Area C2.

ROSEVILLE ROAD

EXISTING TREE (TYP)

10' OFFSET FROM EDGE OF CART PATH (TYP)



MATCH LINE SEE SHEET L-2

NOTES:
1. FIELD FIT WILL BE REQUIRED.

AS BUILT

CORRECTIONS BY *[Signature]*
CONTRACT NO. *[Signature]*
DATE *[Signature]*

8/21/2015 4:59:24 PM 19446 FILE: G:\CAD\Projects\David\Irrigation\00489-08_RosevilleBridge\Plans\L-3.dgn

NO.	REVISIONS DESCRIPTION	DATE	BY

BENCH MARK	ELEV. 54.58
DESCRIPTION: All elevations are based on a differential level loop. Elevations were all relative to NGS Bench Mark (PID=157-ED) NAME 25 Elevation: 54.58 (NGS 029 Elevation: 57.04 feet)	

CITY OF SACRAMENTO DEPARTMENT OF PUBLIC WORKS			
SCALE HORIZ 1"=20' VERT. _____	DESIGNED BY: K. LANTZ DATE: AUG 2015	CHECKED BY: K. LANTZ DATE: AUG 2015	DATE: _____



IMPROVEMENT PLANS FOR
ROSEVILLE ROAD - ARCADE CREEK BRIDGE REPLACEMENT
LAYOUT PLAN - CITY MITIGATION SITE

PN: T15068500 SHEET L-3 X/1